

1

2

3

4

5

6

RevNo

Revision note

Date

Signature

Checked

A

A

B

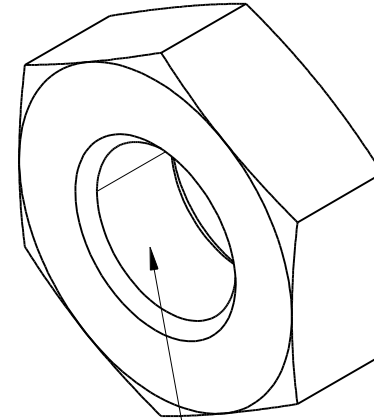
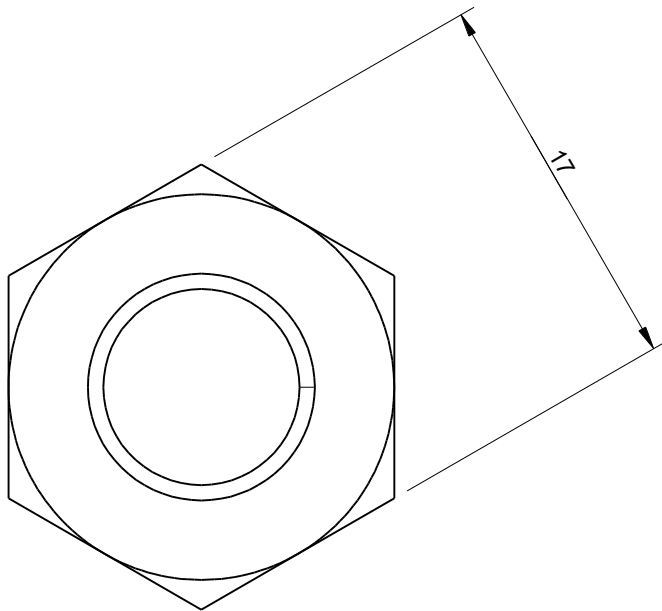
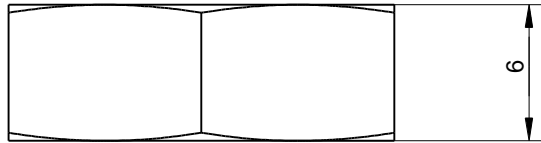
B

C

C

D

D



M10x1.25  
Metric Fine Thread

Itemref	Quantity	Title/Name, designation, material, dimension etc			Article No./Reference	
Drawn by Kevin Damen		Checked by	Approved by - date	File name	Date 8-4-2020	Scale 3:1

**5217**

5217

Edition

Sheet  
1 OF 1

1

2

3

4

5

6