

Coding element - HC-CBU-MOD



1636130

<https://www.phoenixcontact.com/pc/products/1636130>

Please be informed that the data shown in this PDF document is generated from our Online Catalog. Please find the complete data in the user documentation. Our General Terms of Use for Downloads are valid.

Coding socket for coding up to 16 connectors, for HC Modular



Commercial Data

Item number	1636130
Packing unit	10 pc
Minimum order quantity	1 pc
Product Key	BF7ABZ
Catalog Page	Page 657 (C-2-2019)
GTIN	4017918969400
Weight per Piece (including packing)	2.71 g
Weight per Piece (excluding packing)	2.562 g
Customs tariff number	73181595
Country of origin	CN

Coding element - HC-CBU-MOD



1636130

<https://www.phoenixcontact.com/pc/products/1636130>

Technical Data

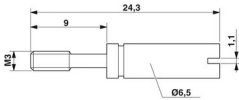
Product properties

Product type	Coding element
--------------	----------------

Material specifications

Color	silver
Material	Steel, galvanized

Dimensions

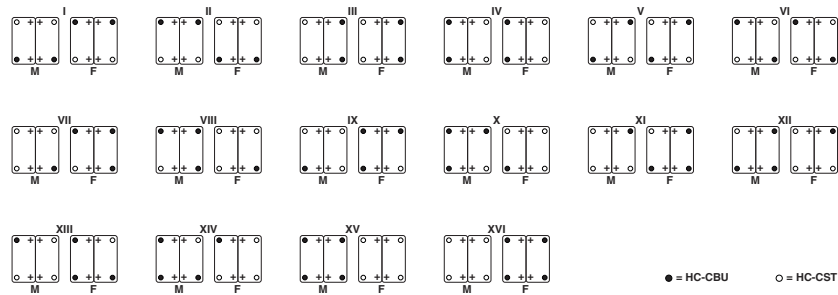
Dimensional drawing	
Width	6.5 mm
Height	6.5 mm
Length	24.3 mm

Notes

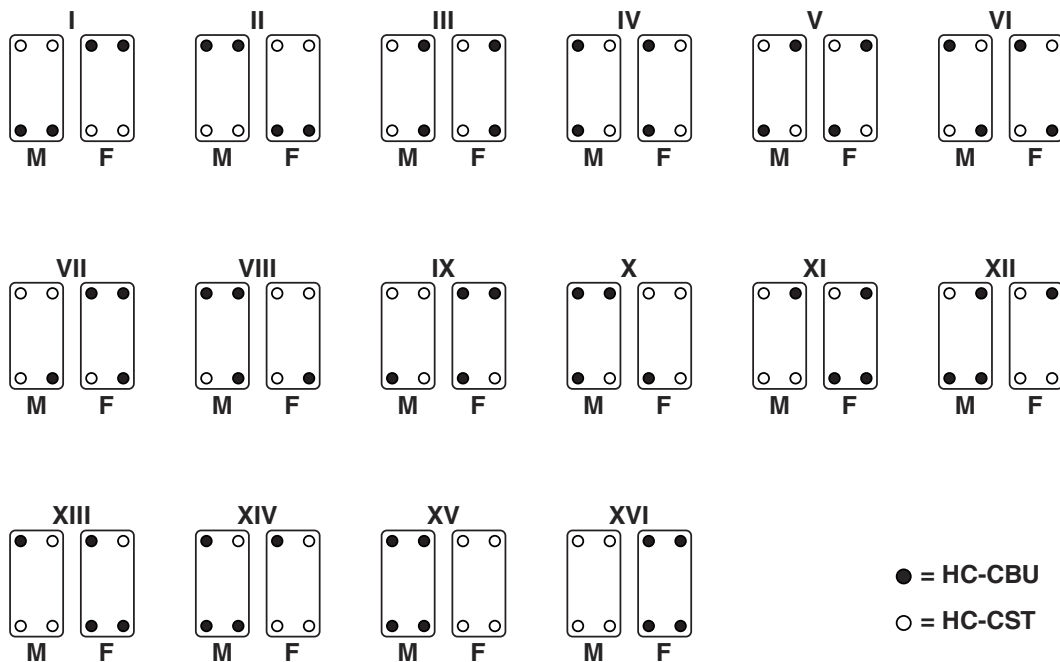
Notes on operation	Prevents most cases of the connector being inserted at an angle
--------------------	---

Drawings

Circuit diagram



Circuit diagram

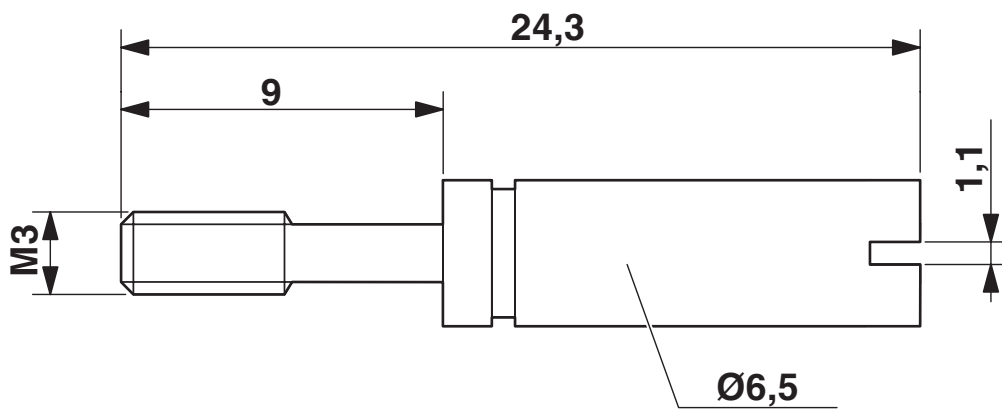


Coding element - HC-CBU-MOD

1636130

<https://www.phoenixcontact.com/pc/products/1636130>

Dimensional drawing



Dimensional drawing

Coding element - HC-CBU-MOD



1636130

<https://www.phoenixcontact.com/pc/products/1636130>

Classifications

ECLASS

ECLASS-9.0	27440203
ECLASS-10.0.1	27440203
ECLASS-11.0	27440203

ETIM

ETIM 8.0	EC002311
----------	----------

UNSPSC

UNSPSC 21.0	39121400
-------------	----------

Coding element - HC-CBU-MOD



1636130

<https://www.phoenixcontact.com/pc/products/1636130>

Environmental Product Compliance

China RoHS	Environmentally friendly use period: unlimited = EFUP-e No hazardous substances above threshold values
------------	---

Phoenix Contact 2022 © - all rights reserved
<https://www.phoenixcontact.com>

PHOENIX CONTACT GmbH & Co. KG
Flachmarktstraße 8
D-32825 Blomberg
+49 (0) 5235-3 00
info@phoenixcontact.com