

1

2

3

4

5

6

RevNo

Revision note

Date

Signature

Checked

A

A

B

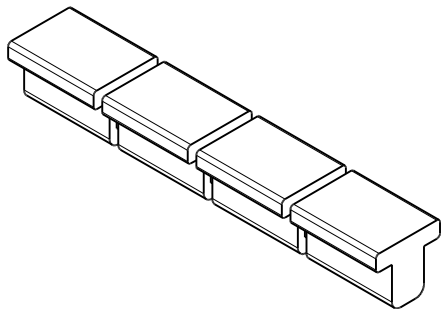
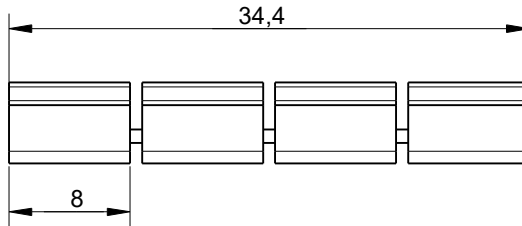
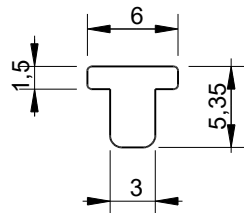
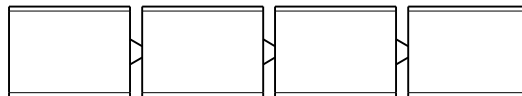
B

C

C

D

D



Itemref	Quantity	Title/Name, designation, material, dimension etc	Article No./Reference		
Drawn by Kevin Damen	Checked by	Approved by - date	File name	Date 16-2-2020	Scale 2:1
			5196	Edition	Sheet 1 OF 1

1

2

3

4

5

6