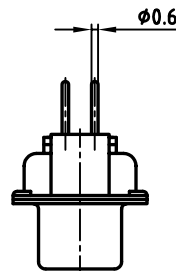
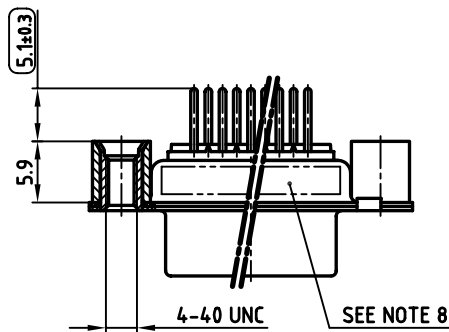
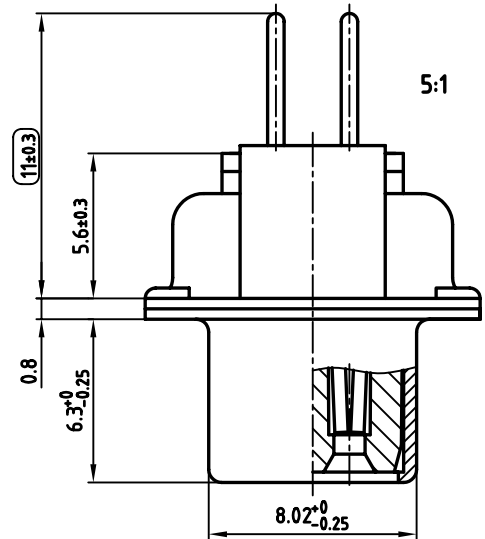
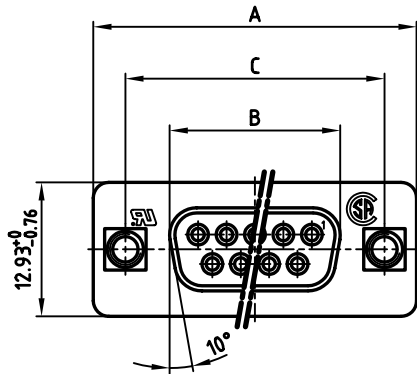


used for: D-SUB



No. of Pos.	A -0.76	B -0.25	C	Part No.
9	31.19	16.46	25.00 ^{+0.12} / _{-0.13}	164A12029X
15	39.52	24.79	33.30 ^{+0.15} / _{-0.1}	164A12039X
25	53.42	38.50	47.04 ±0.13	164A12049X
37	69.70	54.96	63.50 ±0.13	164A12059X

NOTES:

- METALSHELLS: STEEL; min. 320µ" TIN
- INSULATORS: PBT GF UL 94 V-0, BLACK
- CONTACTS: COPPER ALLOY
PLATING: 8µ" HARD GOLD OVER min. 50µ" NICKEL
- THREADED REAR SPACER: COPPER ALLOY; min. 200µ" TIN over 80µ" NICKEL
- SLEEVE: COPPER ALLOY; min. 200µ" TIN over 80µ" NICKEL
- P.C.B. HOLE DRILLINGS ON SHEET 2
- MAXIMUM TORQUE VALUE FOR THREAD: 6" LBS
- CONNECTOR IS PART MARKED: PART-NO. CONEC ABC
- = CHECK DIMENSION

Directive 2002/95/EC
 „RoHS“
 Compliant

APPROVAL * FREIGABE * DEBLOCAGE * AUTORIZACION * APPROVAL	
CUSTOMER APPROVAL DATE:	
NAME:	TITLE:
COMPANY NAME:	
APPROVAL * FREIGABE * DEBLOCAGE * AUTORIZACION * APPROVAL	

THIS DRAWING MAY NOT BE COPIED OR REPRODUCED IN ANY WAY, AND MAY NOT BE PASSED ON TO A THIRD PARTY, WITHOUT WRITTEN PERMISSION.
 OWNERSHIP AND COPYRIGHT OF CONEC GmbH
DO NOT ALTER CAD DRAWING BY HAND

tolerance	dim. in mm	scale:	2:1 (5:1)
2005	date	material:	SEE NOTES
drawn	09.06.	name	Lehmenkühler
appd.	09.06.	name	Mickenbecker
norm	DIN 41652		
d-old			
CONEC ®		dwg no:	AutoCAD 2004
rev.	description	date	name

D-SUB FEMALE 9-37pos. SOLDER PIN STRAIGHT with threaded rear spacer	
part no:	SEE TABLE
DIN-A	sh:1/2

