

# Device connector, rear mounting - SACC-8P-DSI-M12MS/FS-M16



1551697

<https://www.phoenixcontact.com/nl/producten/1551697>

Please be informed that the data shown in this PDF document is generated from our Online Catalog. Please find the complete data in the user documentation. Our General Terms of Use for Downloads are valid.

Sensor/actuator control cabinet feed-through, male to female, 8-pos., M12, shielded, bipolar/screw mounting with M16 thread



## Commercial Data

Item number	1551697
Packing unit	1 pc
Minimum order quantity	1 pc
Sales Key	ABQZCA
Product Key	ABQZCA
Catalog Page	Page 53 (C-2-2019)
GTIN	4046356156202
Weight per Piece (including packing)	31,6 g
Weight per Piece (excluding packing)	31 g
Customs tariff number	85366990
Country of origin	CZ

# Device connector, rear mounting - SACC-8P-DSI-M12MS/FS-M16



1551697

<https://www.phoenixcontact.com/nl/producten/1551697>

## Technical Data

### Notes

Notes on operation	The electrical and mechanical data specified assume that the connector pair is correctly locked and mounted. If the connector is unlocked and if there is a danger of contamination, the connector must be sealed using a protective cap > IP54. Influences arising from litz wires, cables or PCB assembly must also be taken into consideration.
--------------------	--

### Product properties

Product type	Circular connectors (device side)
Number of positions	8
Coding	A - standard
Thread type	M12

### Insulation characteristics

Overvoltage category	II
Degree of pollution	3

### Ambient conditions

Degree of protection	IP67
Degree of protection	IP67
Ambient temperature (operation)	-25 °C ... 85 °C (Plug / socket)
	-40 °C ... 85 °C (without mechanical actuation)
	-25 °C ... 85 °C (Cable, flexible installation)
	-40 °C ... 85 °C (cable, fixed installation)

### Connector

Insertion/withdrawal cycles	> 100
-----------------------------	-------

### Connection 1

Head design	Socket
Head cable outlet	straight
Head thread type	M12
Coding	A-coded

### Connection 2

Head design	Socket
Head cable outlet	straight
Head thread type	M12
Coding	A-coded

### Electrical properties

Rated surge voltage	0.8 kV
---------------------	--------

# Device connector, rear mounting - SACC-8P-DSI-M12MS/FS-M16



1551697

<https://www.phoenixcontact.com/nl/producten/1551697>

Contact resistance	≤ 3 mΩ
Insulation resistance	≥ 100 MΩ
Nominal voltage U <sub>N</sub>	30 V
Nominal current I <sub>N</sub>	2 A

## Material specifications

Flammability rating according to UL 94	HB
Sealing material	FKM
Contact material	CuZn
Contact surface material	Au
Contact carrier material	PA 6.6
Cable gland material	Nickel-plated brass

## Connection data

### Conductor connection

Connection method	Individual wires
Tightening torque	3 Nm
	4 Nm

## Mounting

Mounting type	Rear mounting M16 x 1.5
---------------	-------------------------

## Standards and regulations

### M12

Standards/specifications	IEC 61076-2-101
--------------------------	-----------------

## Cable / line

Ambient temperature (operation)	-40 °C ... 85 °C (cable, fixed installation)
	-25 °C ... 85 °C (Cable, flexible installation)

# Device connector, rear mounting - SACC-8P-DSI-M12MS/FS-M16

1551697

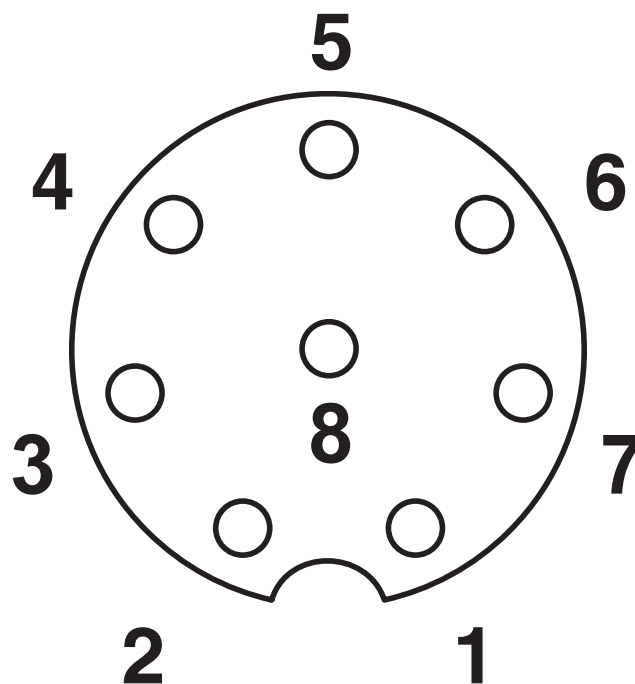
<https://www.phoenixcontact.com/nl/producten/1551697>

## Drawings

Circuit diagram



Schematic diagram



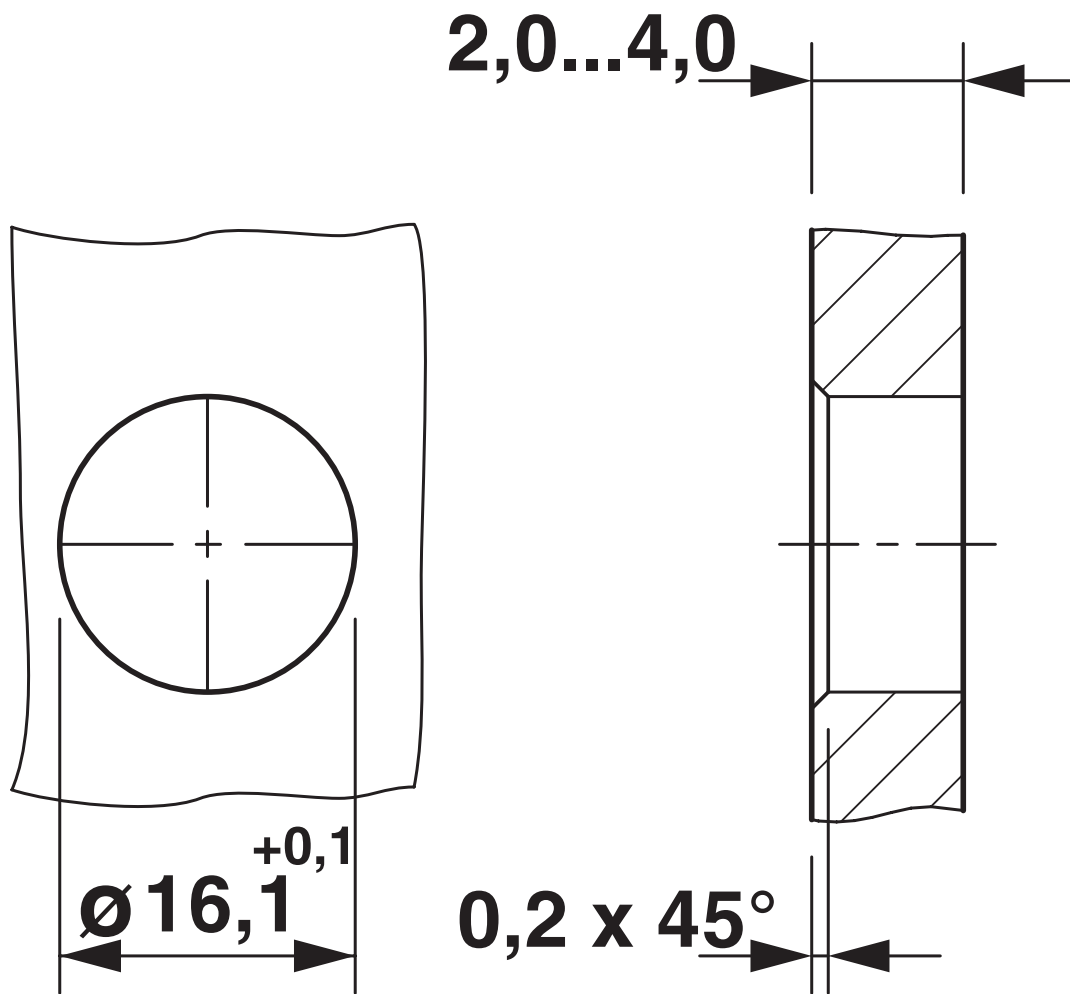
Pin assignment M12 socket, 8-pos., A-coded, view female side

Device connector, rear mounting - SACC-8P-DSI-M12MS/FS-M16

1551697

<https://www.phoenixcontact.com/nl/producten/1551697>

Dimensional drawing



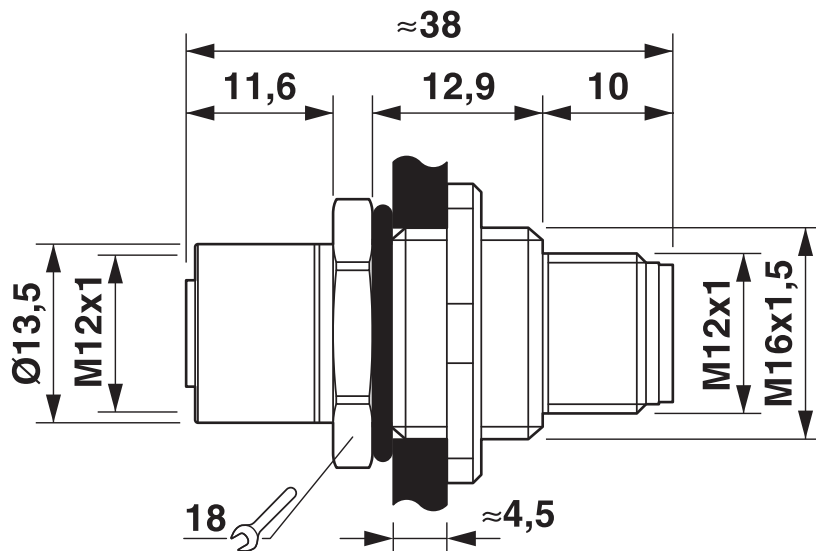
Mounting cutout

# Device connector, rear mounting - SACC-8P-DSI-M12MS/FS-M16

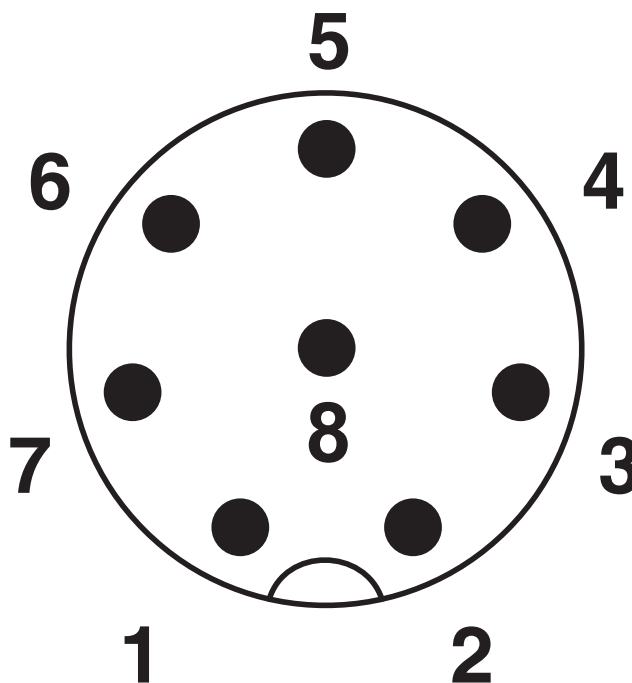
1551697

<https://www.phoenixcontact.com/nl/producten/1551697>

Dimensional drawing



Schematic diagram



Pin assignment M12 plug, 8-pos., view plug side

# Device connector, rear mounting - SACC-8P-DSI-M12MS/FS-M16



1551697

<https://www.phoenixcontact.com/nl/producten/1551697>

## Approvals



**EAC**

Approval ID: B.01687

# Device connector, rear mounting - SACC-8P-DSI-M12MS/FS-M16



1551697

<https://www.phoenixcontact.com/nl/producten/1551697>

## Classifications

### ECLASS

ECLASS-10.0.1	27440102
ECLASS-9.0	27440102
ECLASS-11.0	27440102

### ETIM

ETIM 8.0	EC002635
----------	----------

### UNSPSC

UNSPSC 21.0	39121400
-------------	----------



# Device connector, rear mounting - SACC-8P-DSI-M12MS/FS-M16



1551697

<https://www.phoenixcontact.com/nl/producten/1551697>

## Environmental Product Compliance

REACH SVHC	Lead 7439-92-1
China RoHS	Environmentally Friendly Use Period = 50 years
	For information on hazardous substances, refer to the manufacturer's declaration available under "Downloads"

# Device connector, rear mounting - SACC-8P-DSI-M12MS/FS-M16



1551697

<https://www.phoenixcontact.com/nl/producten/1551697>

## Accessories

### Screw plug

Screw plug - PROT-M12 - 1680539

<https://www.phoenixcontact.com/nl/producten/1680539>



An M12 screw plug for the unoccupied M12 sockets of the sensor/actuator cable, boxes and flush-type connectors

---

### Sealing cap

Sealing cap - PROT-M12 FS - 1560251

<https://www.phoenixcontact.com/nl/producten/1560251>



M12 sealing cap for unoccupied M12 plugs of the sensor/actuator cable, flush-type plugs and I/O devices in the field

# Device connector, rear mounting - SACC-8P-DSI-M12MS/FS-M16



1551697

<https://www.phoenixcontact.com/nl/producten/1551697>

## Screw plug

Screw plug - PROT-M12 SH - 1503302

<https://www.phoenixcontact.com/nl/producten/1503302>



An M12 screw plug for the unoccupied M12 sockets of the shielded sensor/actuator cable, boxes and flush-type connectors

---

## Sealing cap

Sealing cap - PROT-M12 FS-M - 1430488

<https://www.phoenixcontact.com/nl/producten/1430488>



M12 metal sealing cap for unoccupied M12 plugs of the sensor/actuator cable, flush-type plugs and I/O devices in the field

---

Phoenix Contact 2022 © - all rights reserved

<https://www.phoenixcontact.com>

PHOENIX CONTACT B.V.  
Hengelder 56 6902 PA Zevenaar  
Postbus 246 6900 AE Zevenaar  
(0316) 59 17 20  
[sales@phoenixcontact.nl](mailto:sales@phoenixcontact.nl)