

SACC-E-M12FS-4CON-PG9/0,5 - Device connector front mounting



1693788

<https://www.phoenixcontact.com/nl/producten/1693788>

Please be informed that the data shown in this PDF document is generated from our Online Catalog. Please find the complete data in the user documentation. Our General Terms of Use for Downloads are valid.



Device connector front mounting, Universal, 4-position, Flush-type female connector, straight, M12-Standard, coding: A , on free cable end, Front mounting, Pg9, Individual wires, cable length: 0.5 m, 0.34 mm², TPE litz wire

Your advantages

- Pre-assembled with litz wires for immediate use
- Customer-specific assemblies and litz wire lengths available
- Sealed on the litz wire side for optimum leak-tightness
- All standard pin assignments and codings for signal, data, and power transmission with a uniform design-in design
- For high transmission safety: shield connection to the housing with optional EMC nut

Commercial Data

| | |
|--------------------------------------|--------------------|
| Item number | 1693788 |
| Packing unit | 1 pc |
| Minimum order quantity | 1 pc |
| Sales Key | ABQCDB |
| Product Key | ABQCDB |
| Catalog Page | Page 35 (C-2-2019) |
| GTIN | 4017918174330 |
| Weight per Piece (including packing) | 30,5 g |
| Weight per Piece (excluding packing) | 20 g |
| Customs tariff number | 85444290 |
| Country of origin | DE |

SACC-E-M12FS-4CON-PG9/0,5 - Device connector front mounting



1693788

<https://www.phoenixcontact.com/nl/producten/1693788>

Technical Data

Notes

Notes on operation

The electrical and mechanical data specified assume that the connector pair is correctly locked and mounted. If the connector is unlocked and if there is a danger of contamination, the connector must be sealed using a protective cap > IP54. Influences arising from litz wires, cables or PCB assembly must also be taken into consideration.

Safety note

Safety note

WARNING: The connectors may not be plugged in or disconnected under load. Ignoring the warning or improper use may damage persons and/or property.

- **WARNING:** Commission properly functioning products only. The products must be regularly inspected for damage. Decommission defective products immediately. Replace damaged products. Repairs are not possible.

- **WARNING:** Only electrically qualified personnel may install and operate the product. They must observe the following safety notes. The qualified personnel must be familiar with the basics of electrical engineering. They must be able to recognize and prevent danger. The relevant symbol on the packaging indicates that only personnel familiar with electrical engineering are allowed to install and operate the product.

- The products are suitable for applications in plant, controller, and electrical device engineering.

- When operating the connectors in outdoor applications, they must be separately protected against environmental influences.

- Assembled products may not be manipulated or improperly opened.

- Only use mating connectors that are specified in the technical data of the standards listed (e.g. the ones listed in the product accessories online at [phoenixcontact.com/products](https://www.phoenixcontact.com/products)).

- When using the product in direct connection with third-party manufacturers, the user is responsible.

- For operating voltages > 50 V AC, conductive connector housings must be grounded

- Ensure that when laying the cable, the tensile load on the connectors does not exceed the upper limit specified in the standards.

- Observe the corresponding technical data. You will find information:

- o On the product

- o On the packing label

- o In the supplied documentation

- o Online at [phoenixcontact.com/products](https://www.phoenixcontact.com/products) under the product

- Only use tools recommended by Phoenix Contact

- Use a protective cap to protect connectors that are not in use. The suitable accessories are available online in the accessory section of the product at [phoenixcontact.com/products](https://www.phoenixcontact.com/products)

SACC-E-M12FS-4CON-PG9/0,5 - Device connector front mounting



1693788

<https://www.phoenixcontact.com/nl/producten/1693788>

| | |
|--|--|
| | <ul style="list-style-type: none"> • Ensure that the protective or functional ground has been properly connected. |
| | <ul style="list-style-type: none"> • VDE 0100/1.97 § 411.1.3.2 and DIN EN 60 204/11.98 § 14.1.3 are applicable when combining several circuits in a cable and/or connector |
| | <ul style="list-style-type: none"> • The connector warms up in normal operation. Depending on the ambient conditions, the surface of the connector can continue to warm up. In this case, the user is responsible for posting warnings (e.g. DIN EN ISO 13732-1:2008-12). |

Mounting

| | |
|---------------|--------------------|
| Mounting type | Front mounting Pg9 |
|---------------|--------------------|

Product properties

| | |
|----------------------|-----------------------------------|
| Product type | Circular connectors (device side) |
| Number of positions | 4 |
| No. of cable outlets | 1 |
| Shielded | no |
| Coding | A |
| Thread type | M12 |

Insulation characteristics

| | |
|----------------------|----|
| Overvoltage category | II |
| Degree of pollution | 3 |

Material specifications

| | |
|--|------------------------------|
| Flammability rating according to UL 94 | V0 |
| Seal material | FKM |
| Contact material | CuZn |
| Contact surface material | Ni/Au |
| Contact carrier material | PA 66 |
| Material for screw connection | Zinc die-cast, nickel-plated |

Electrical properties

| | |
|--------------------------------|------------|
| Rated surge voltage | 2.5 kV |
| Contact resistance | ≤ 3 mΩ |
| Insulation resistance | ≥ 100 MΩ |
| Nominal voltage U _N | 250 V (AC) |
| | 250 V (DC) |
| Nominal current I _N | 4 A |

Connection data

Conductor connection

| | |
|-------------------|------------------|
| Connection method | Individual wires |
| Type of contact | Crimp contacts |

SACC-E-M12FS-4CON-PG9/0,5 - Device connector front mounting



1693788

<https://www.phoenixcontact.com/nl/producten/1693788>

| | |
|-------------------------|----------------------|
| Conductor cross section | 0.34 mm ² |
| Tightening torque | 3 Nm |
| | 4 Nm |

Connector

Connection 1

| | |
|-------------------|-----------------------------|
| Head design | Flush-type female connector |
| Head cable outlet | straight |
| Head thread type | M12 |
| Head locking type | Standard |
| Coding | A |

Connection 2

| | |
|-------------|----------------|
| Head design | free cable end |
|-------------|----------------|

Cable/line

| | |
|---------------------------------|--|
| Cable length | 0.5 m |
| Shielded | no |
| Cable type | TPE litz wire |
| Signal type/category | Universal |
| Conductor material | Tin-plated Cu litz wires |
| Conductor structure signal line | 7x 0.25 mm |
| AWG signal line | 22 |
| Conductor cross section | 0.34 mm ² |
| Material wire insulation | TPE |
| Thickness, insulation | 0.21 mm |
| Wire diameter incl. insulation | 1.2 mm ±0.07 mm |
| Single wire, color | brown, white, blue, black |
| Nominal voltage, cable | 300 V |
| Test voltage, cable | 2000 V AC |
| Cable resistance | ≤ 57.6 Ω/km |
| Cable insulation resistance | ≥ 20 MΩ*km |
| Ambient temperature (operation) | -25 °C ... 85 °C |
| | -40 °C ... 85 °C (cable, fixed installation) |

Environmental and real-life conditions

Ambient conditions

| | |
|---------------------------------|---|
| Degree of protection | IP67 |
| | IP67 |
| Ambient temperature (operation) | -25 °C ... 85 °C (Plug / socket) |
| | -40 °C ... 85 °C (without mechanical actuation) |
| | -25 °C ... 85 °C |

SACC-E-M12FS-4CON-PG9/0,5 - Device connector front mounting



1693788

<https://www.phoenixcontact.com/nl/producten/1693788>

| |
|--|
| -40 °C ... 85 °C (cable, fixed installation) |
|--|

Standards and regulations

M12

| |
|--------------------------|
| Standards/specifications |
|--------------------------|

| |
|-----------------|
| IEC 61076-2-101 |
|-----------------|

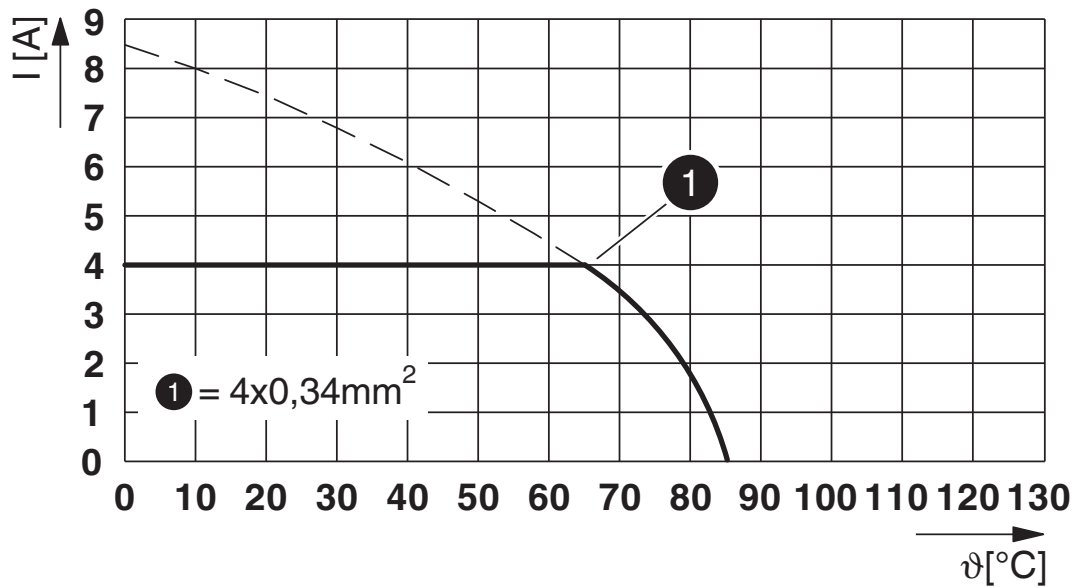
SACC-E-M12FS-4CON-PG9/0,5 - Device connector front mounting

1693788

<https://www.phoenixcontact.com/nl/producten/1693788>

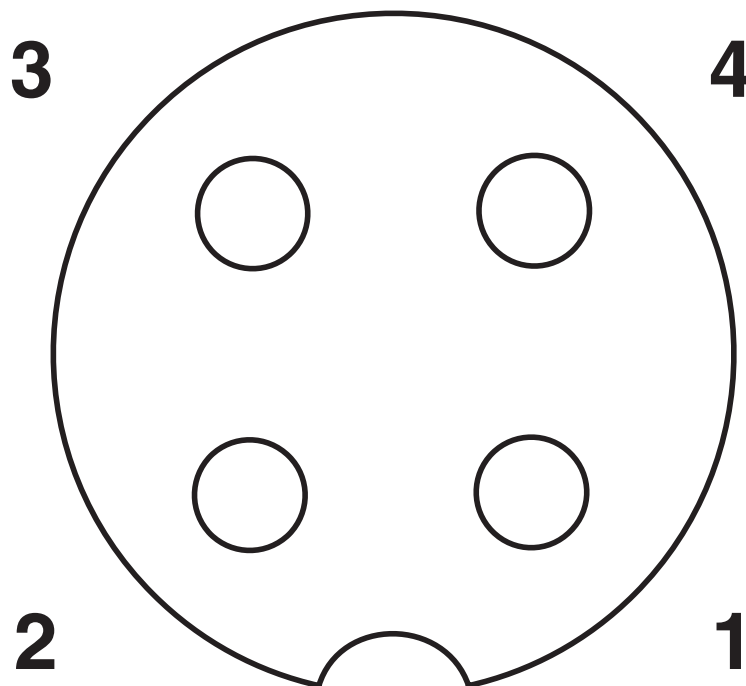
Drawings

Diagram



I = current strength, T = ambient temperature

Schematic diagram



Pin assignment M12 socket, 4-pos., A-coded, view female side

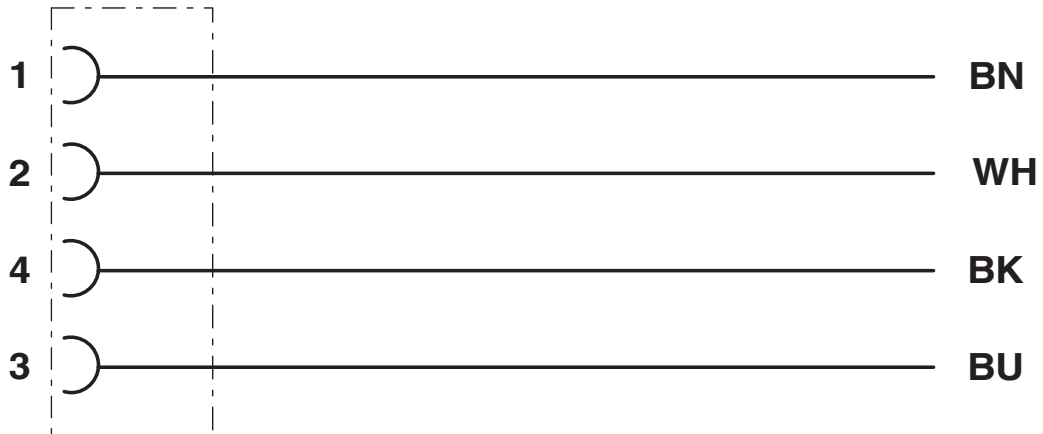
SACC-E-M12FS-4CON-PG9/0,5 - Device connector front mounting



1693788

<https://www.phoenixcontact.com/nl/producten/1693788>

Circuit diagram

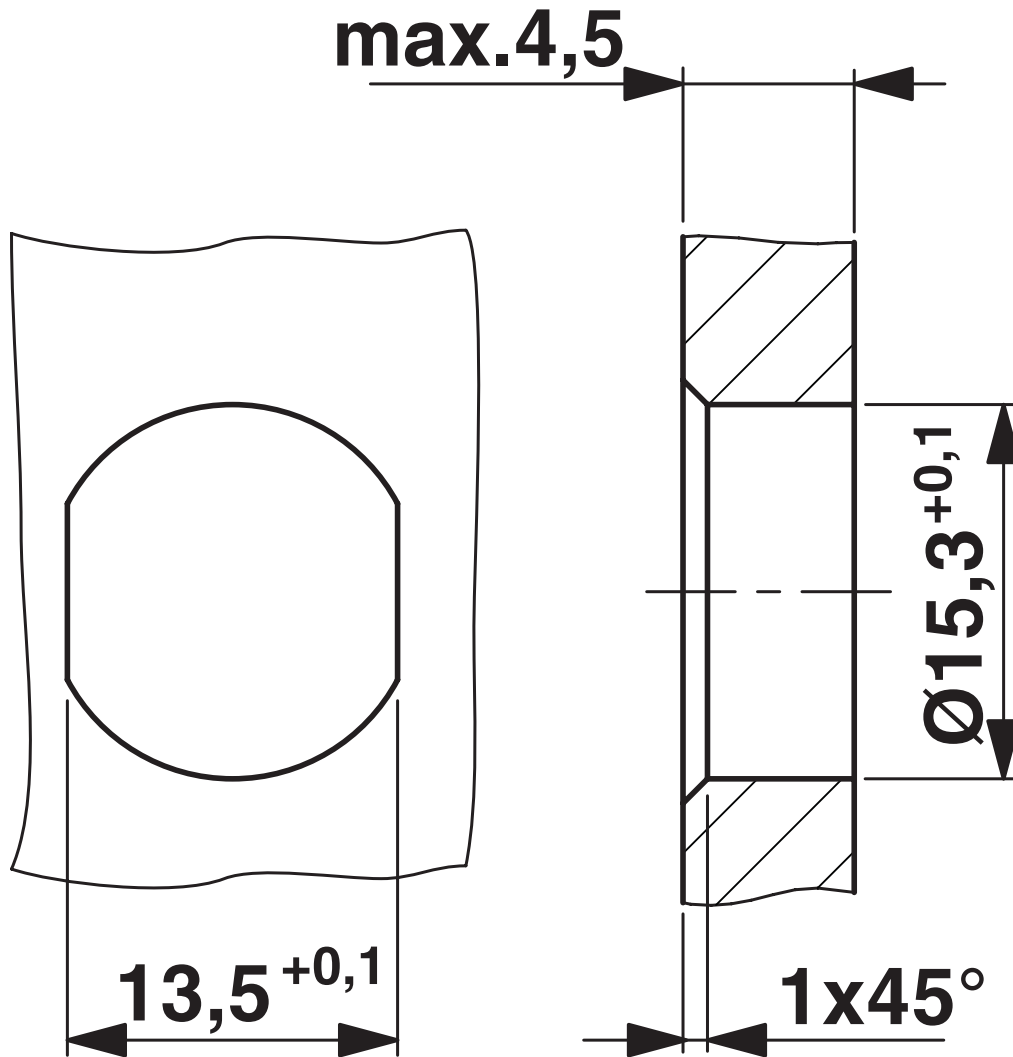


SACC-E-M12FS-4CON-PG9/0,5 - Device connector
front mounting

1693788

<https://www.phoenixcontact.com/nl/producten/1693788>

Dimensional drawing

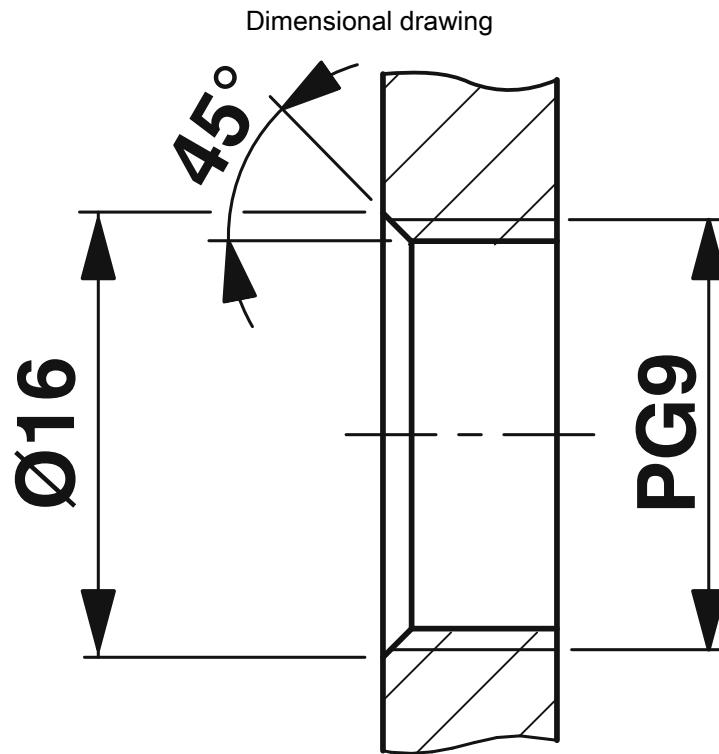


Housing cutout for Pg9 fastening thread, mounting panel with feed-through hole (alternatively with surface as protection against rotation)

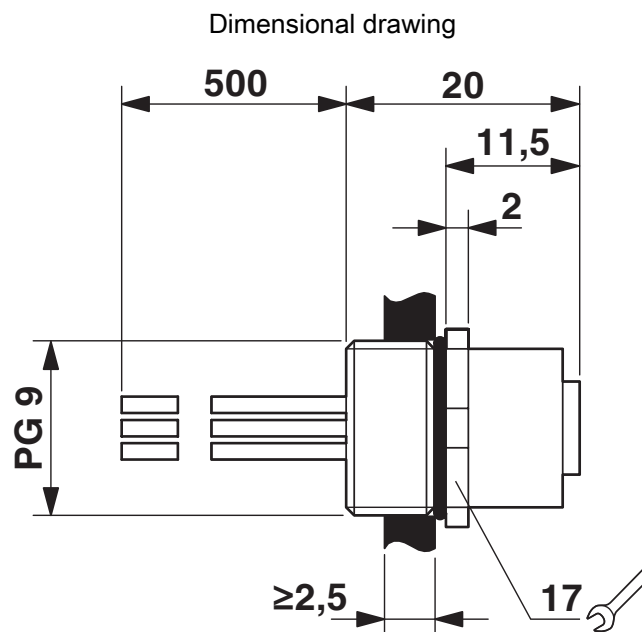
SACC-E-M12FS-4CON-PG9/0,5 - Device connector front mounting

1693788

<https://www.phoenixcontact.com/nl/producten/1693788>



Housing cutout for Pg9 fastening thread, mounting panel with thread



Dimensional drawing

SACC-E-M12FS-4CON-PG9/0,5 - Device connector front mounting





1693788


<https://www.phoenixcontact.com/nl/producten/1693788>

Approvals

| | | | | |
|---|-----------------------|-----------------------|-------------------|-----------------------------|
|  cUL Recognized Approval ID: FILE E 118976 | Nominal Voltage U_N | Nominal Current I_N | Cross Section AWG | Cross Section mm^2 |
| | 250 V | 4 A | - 22 | - |

| | | | | |
|--|-----------------------|-----------------------|-------------------|-----------------------------|
|  UL Recognized Approval ID: FILE E 118976 | Nominal Voltage U_N | Nominal Current I_N | Cross Section AWG | Cross Section mm^2 |
| | 250 V | 4 A | - 22 | - |

| |
|---|
|  EAC Approval ID: B.01687 |
|---|

| | | | | |
|--|-----------------------|-----------------------|-------------------|-----------------------------|
|  cULus Recognized Approval ID: E221474-20140616 | Nominal Voltage U_N | Nominal Current I_N | Cross Section AWG | Cross Section mm^2 |
| | 250 V | 4 A | 22 - 20 | - |

SACC-E-M12FS-4CON-PG9/0,5 - Device connector front mounting



1693788

<https://www.phoenixcontact.com/nl/producten/1693788>

Classifications

ECLASS

| | |
|-------------|----------|
| ECLASS-11.0 | 27440102 |
| ECLASS-12.0 | 27440116 |
| ECLASS-13.0 | 27440116 |

ETIM

| | |
|----------|----------|
| ETIM 8.0 | EC002635 |
|----------|----------|

UNSPSC

| | |
|-------------|----------|
| UNSPSC 21.0 | 39121400 |
|-------------|----------|

SACC-E-M12FS-4CON-PG9/0,5 - Device connector front mounting



1693788

<https://www.phoenixcontact.com/nl/producten/1693788>

Environmental Product Compliance

| | |
|------------|---|
| China RoHS | Environmentally friendly use period: unlimited = EFUP-e |
| | No hazardous substances above threshold values |

SACC-E-M12FS-4CON-PG9/0,5 - Device connector front mounting



1693788

<https://www.phoenixcontact.com/nl/producten/1693788>

Accessories

SACC-E-MU-PG9 - Flat nut

1504084

<https://www.phoenixcontact.com/nl/producten/1504084>

Flat nut, Screw mounting, Pg9, cable gland Pg9, Alternative product in accordance with RoHS II without Exemption 6c (Pb <0.1%) item no.: 1239862



SACC-PG9-SEAL CLM - Flat gasket

1556320

<https://www.phoenixcontact.com/nl/producten/1556320>

Pg9 flat gasket, for M12 flush-type connectors with Pg9 fastening thread



SACC-E-M12FS-4CON-PG9/0,5 - Device connector front mounting



1693788

<https://www.phoenixcontact.com/nl/producten/1693788>

PROT-M12 - Screw plug

1680539

<https://www.phoenixcontact.com/nl/producten/1680539>



An M12 screw plug for the unoccupied M12 sockets of the sensor/actuator cable, boxes and flush-type connectors

PROT-M12 SH - Screw plug

1503302

<https://www.phoenixcontact.com/nl/producten/1503302>



An M12 screw plug for the unoccupied M12 sockets of the shielded sensor/actuator cable, boxes and flush-type connectors

SACC-E-M12FS-4CON-PG9/0,5 - Device connector front mounting



1693788

<https://www.phoenixcontact.com/nl/producten/1693788>

PROT-M12 FB - Screw plug

1555538

<https://www.phoenixcontact.com/nl/producten/1555538>



M12 high-grade steel screw plug, for unoccupied M12 sockets of the sensor/actuator cables, boxes and flush-type connectors for the food industry

Phoenix Contact 2023 © - all rights reserved
<https://www.phoenixcontact.com>

PHOENIX CONTACT B.V.
Hengelder 56 6902 PA Zevenaar
Postbus 246 6900 AE Zevenaar
(0316) 59 17 20
sales@phoenixcontact.nl