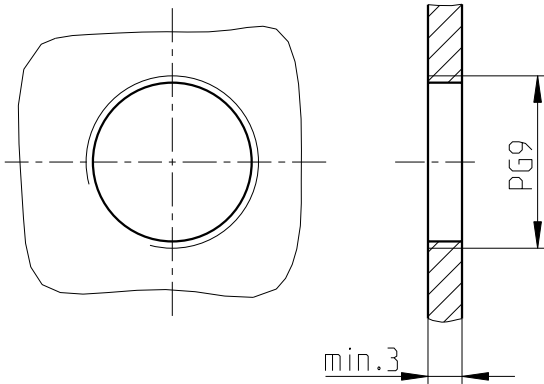
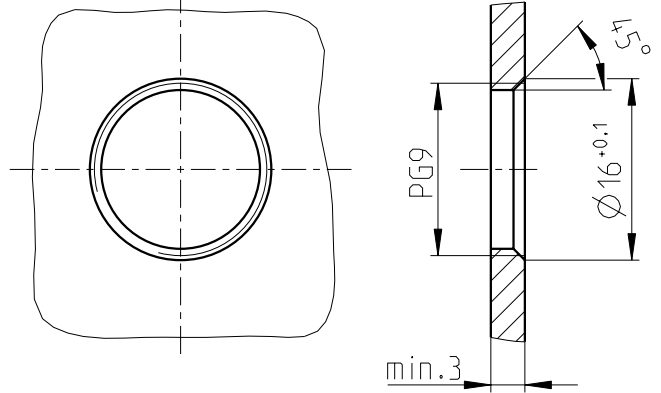


Installation recommendation PG9 for SACC... design E

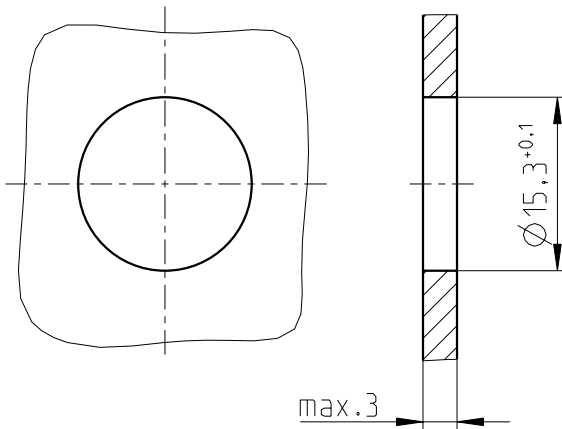
mounting with flat gasket
(thread without chamfer)
can be screwed from the front



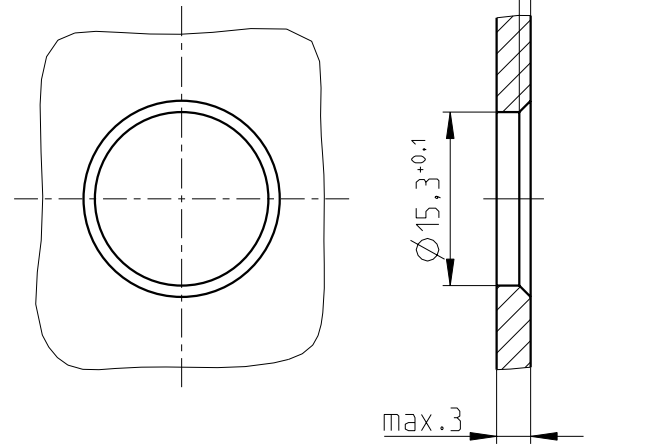
mounting with o-ring
(thread with chamfer)
can be screwed from the front



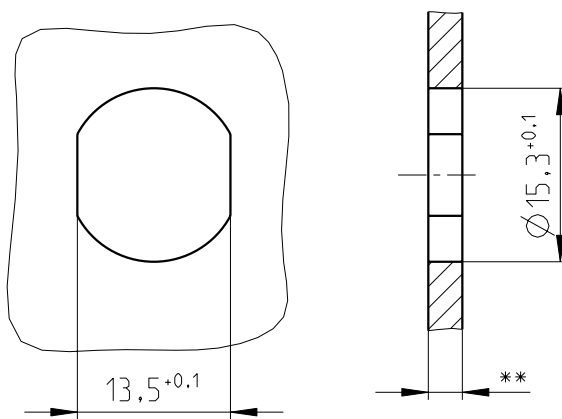
mounting with flat gasket
(through hole without chamfer)
can be screwed from the rear



mounting with o-ring
(through hole with chamfer)
can be screwed from the rear



mounting with flat gasket and o-ring
(cut-out with anti-twist protection without chamfer)
can be screwed from the rear



Installation recommendation only valid for housings
with bevels (anti-twist protection)!

tightening torque:
flat gasket 2-3Nm
o-ring 3-4Nm

** Front panel thickness max.3mm.
If <2mm technical features
could be limited.

The copying, distribution and utilization of this document as well as the communication of the contents to others without expressed authorization is prohibited according to §18 UWG German Law. Offenders will be held liable for the payment of damages according to §19 UWG German Law. All rights reserved, in particular the right to carry out patent, utility model or ornamental design registrations.

Weitergabe sowie Vervielfältigung dieses Dokuments, Verwertung und Mitteilung seines Inhalts gem §18 UWG verboten, soweit nicht ausdrücklich gestattet. Zuwiderhandlungen verpflichten zu Schadenersatz (§19 UWG). Alle Rechte vorbehalten, insbesondere das Recht, Patent-, Gebrauchsmuster- oder Geschmacksmusteranmeldungen durchzuführen. CONINVERS GmbH Heisenbergstrasse 1 D-71083 Herrenberg

	data	name
design	2012-07-24	Thumm



technical changes reserved

dok.-no.: 00674458

Index 2 / 2013-02-26