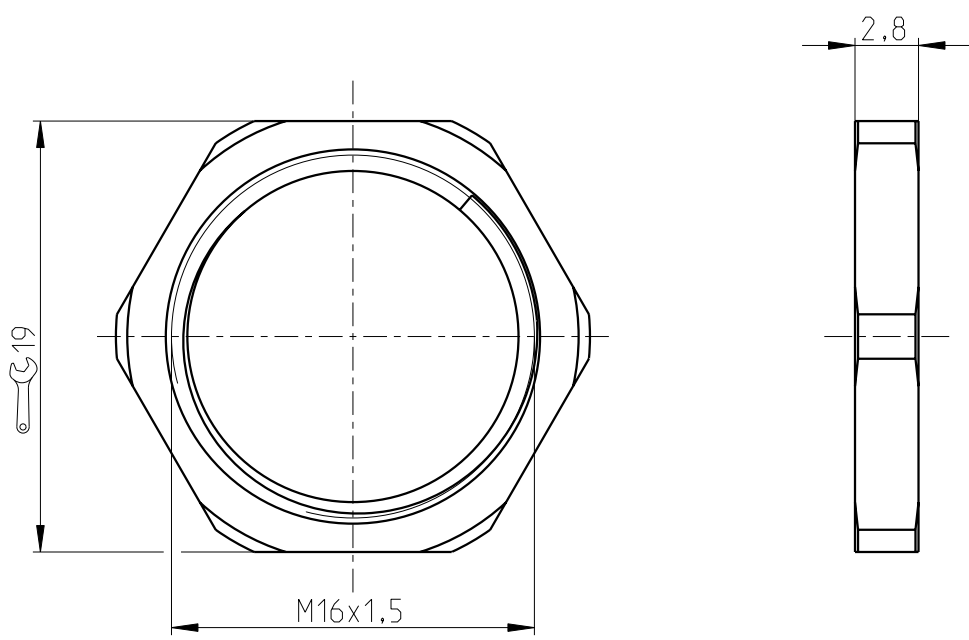


The copying, distribution and utilization of this document as well as the communication of the contents to others without expressed authorization is prohibited according to §18 UWG German Law. Offenders will be held liable for the payment of damages according to §19 UWG German Law. All rights reserved, in particular the right to carry out patent, utility model or ornamental design registrations.

Weitergabe sowie Vervielfältigung dieses Dokuments, Verwertung und Mitteilung seines Inhalts gem §18 UWG verboten, soweit nicht ausdrücklich gestattet. Zuwiderhandlungen verpflichten zu Schadenersatz (§19 UWG). Alle Rechte vorbehalten, insbesondere das Recht, Patent-, Gebrauchsmuster- oder Geschmacksmusteranmeldungen durchzuführen. PHENIX CONTACT Connector Technology GmbH Heisenbergstrasse 1 D-71083 Herrenberg

Mechanical data (according to IEC 61076-2-101)		Material	
no. of poles / coding	- / -	housing / surface	CuZn / Ni
contact termination	-	contact carrier	-
contact- $\varnothing$	-	colour	-
temperature range	-	wire	-
protection class	-	cross section	-
mating cycles	-	contacts / surface	-
locking system		sealing gasket	-
		potting	-



general tolerance acc. to DIN ISO 2768-c		technical changes reserved		Index 0 / 2018-10-15		scale: 3:1	
design	date	Nut M16x1,5 both sides chamfer					
chk.	name						
		drawing-no.:		doc.-no.:		page: 1 of: 1	
		order-no.:					
		article designation:					



drawing-no.: BW -415371  
 order-no.: 1504097  
 article designation: SACC -E-MU-M16  
 doc.-no.: 01170136