

# Pneumatic contact - HC-M-PN3-4,00-BU-V



1663569

<https://www.phoenixcontact.com/nl/producten/1663569>

Please be informed that the data shown in this PDF document is generated from our Online Catalog. Please find the complete data in the user documentation. Our General Terms of Use for Downloads are valid.

Pneumatic socket with valve, for HC-M-PN3 module, internal hose diameter of 4.0 mm



## Commercial Data

Item number	1663569
Packing unit	10 pc
Minimum order quantity	10 pc
Sales Key	BF7ACZ
Product Key	BF7ACZ
Catalog Page	Page 593 (C-2-2019)
GTIN	4017918123376
Weight per Piece (including packing)	1,03 g
Weight per Piece (excluding packing)	0,87 g
Customs tariff number	39174000
Country of origin	CN

# Pneumatic contact - HC-M-PN3-4,00-BU-V



1663569

<https://www.phoenixcontact.com/nl/producten/1663569>

## Technical Data

### Product properties

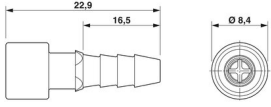
Product type	Pneumatic contact
Integrated valve	Yes
Series	HC-M-03-PN

### Connection data

#### Connection technology

Connection technology	Hose connection
-----------------------	-----------------

### Dimensions

Dimensional drawing	
Width	8.2 mm
Height	8.2 mm
Depth	23 mm

### Mechanical characteristics

Internal diameter of pressure hose connection	4 mm
Contact diameter	5.2 mm

### Material specifications

Color	black
Seal material	Buna-N
Contact material	Delrin acetal

### Connector

Insertion/withdrawal cycles	≥ 500
-----------------------------	-------

### Characteristics

Operating pressure	8.00 bar
--------------------	----------

### Environmental and real-life conditions

#### Ambient conditions

Ambient temperature (operation)	-40 °C ... 80 °C
---------------------------------	------------------

# Pneumatic contact - HC-M-PN3-4,00-BU-V

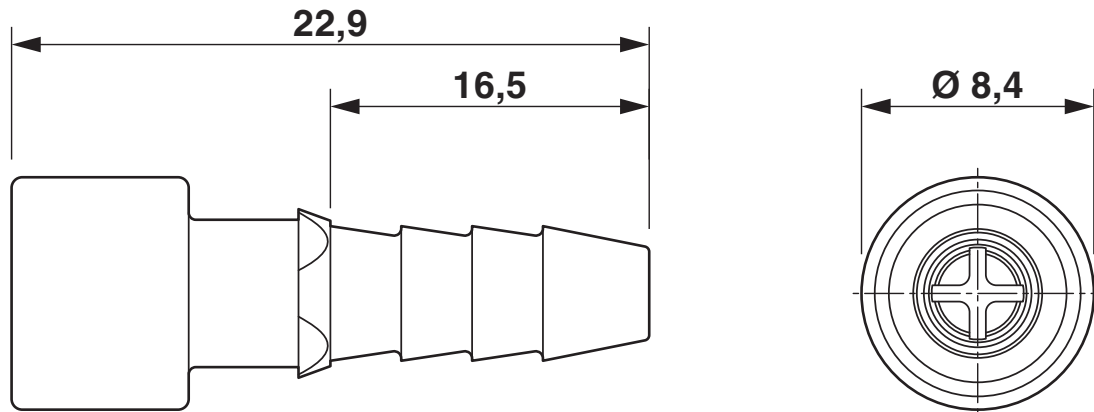
1663569

<https://www.phoenixcontact.com/nl/producten/1663569>



## Drawings

Dimensional drawing



# Pneumatic contact - HC-M-PN3-4,00-BU-V



1663569

<https://www.phoenixcontact.com/nl/producten/1663569>

## Approvals



**EAC**

Approval ID: RU C-DE.AI30.B.01102

# Pneumatic contact - HC-M-PN3-4,00-BU-V



1663569

<https://www.phoenixcontact.com/nl/producten/1663569>

## Classifications

### ECLASS

ECLASS-9.0	27440192
ECLASS-10.0.1	27440192
ECLASS-11.0	27440204

### ETIM

ETIM 8.0	EC000796
----------	----------

### UNSPSC

UNSPSC 21.0	39121500
-------------	----------

# Pneumatic contact - HC-M-PN3-4,00-BU-V



1663569

<https://www.phoenixcontact.com/nl/producten/1663569>

## Environmental Product Compliance

China RoHS	Environmentally friendly use period: unlimited = EFUP-e
	No hazardous substances above threshold values

# Pneumatic contact - HC-M-PN3-4,00-BU-V

1663569

<https://www.phoenixcontact.com/nl/producten/1663569>



## Accessories

### Sealing ring

Sealing ring - HC-M-PN3-ERSORI - 1408203

<https://www.phoenixcontact.com/nl/producten/1408203>

Replacement O-ring for HC-M-PN3...ST pneumatic pin contacts



---

### Contact insert module

Contact insert module - HC-M-03-PN-M-F - 1417433

<https://www.phoenixcontact.com/nl/producten/1417433>

Contact insert module, number of positions: 3, Socket, Pin, application: Pneumatics, for internal hose diameter of 1.6 / 3 / 4 mm



# Pneumatic contact - HC-M-PN3-4,00-BU-V



1663569

<https://www.phoenixcontact.com/nl/producten/1663569>

## Pneumatic contact

Pneumatic contact - HC-M-PN3-4,00-ST - 1663501

<https://www.phoenixcontact.com/nl/producten/1663501>

Pneumatic pin, for HC-M-PN3 module, internal hose diameter of 4.0 mm



---

Phoenix Contact 2022 © - all rights reserved

<https://www.phoenixcontact.com>

PHOENIX CONTACT B.V.  
Hengelder 56 6902 PA Zevenaar  
Postbus 246 6900 AE Zevenaar  
(0316) 59 17 20  
[sales@phoenixcontact.nl](mailto:sales@phoenixcontact.nl)