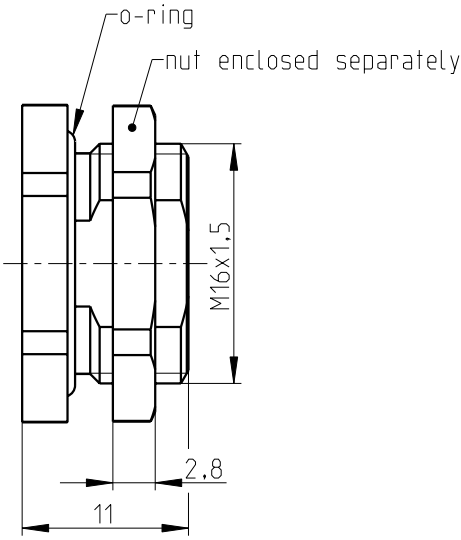
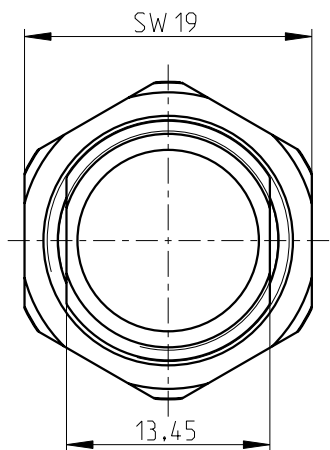


The copying, distribution and utilization of this document as well as the communication of the contents to others without expressed authorization is prohibited according to §18 UWG German Law. Offenders will be held liable for the payment of damages according to §19 UWG German Law. All rights reserved, in particular the right to carry out patent, utility model or ornamental design registrations.

Weitergabe sowie Vervielfältigung dieses Dokuments, Verwertung und Mitteilung seines Inhalts gem §18 UWG verboten, soweit nicht ausdrücklich gestattet. Zuwiderhandlungen verpflichten zu Schadensersatz (§19 UWG). Alle Rechte vorbehalten, insbesondere das Recht, Patent-, Gebrauchsmuster- oder Geschmacksmusteranmeldungen durchzuführen. CONINVERS GmbH Heisenbergstrasse 1 D-71083 Herrenberg

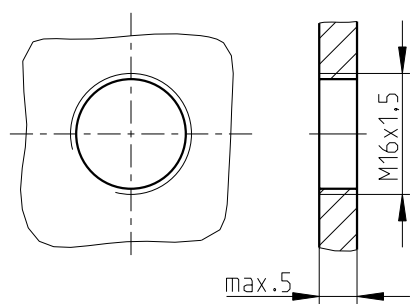
Mechanical data (according to IEC 61076-2-101)		Material	
no. of poles / coding	- / -	housing / surface	CuZn / Ni
contact termination	-	contact carrier	-
contact- $\varnothing$	-	colour	-
temperature range	-40 °C / +125 °C	wire	-
protection class	-	cross section	-
mating cycles	-	contacts / surface	-
locking system	-	sealing gasket	FKM
		potting	-



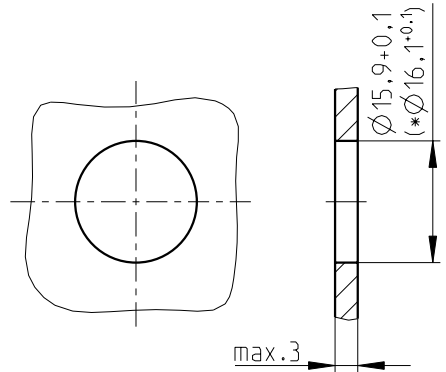
Installation recommendation M1:1  
Tightening torque: 3-4Nm

- \*  $\varnothing 16,1+0,1$  on central mounting
- \*\* Front panel thickness max.3mm. If <2mm the technical properties could be limited.

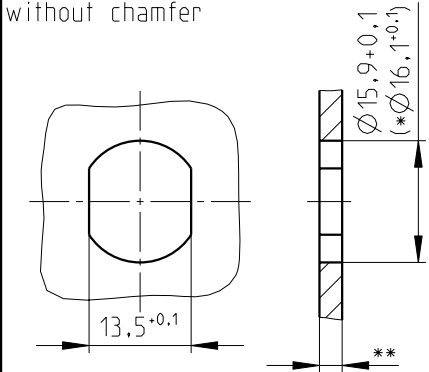
Mounting with thread without chamfer



Mounting with through hole without chamfer



Mounting with cut-out and anti-twist protection without chamfer



general tolerance acc. to DIN ISO 2768-c		technical changes reserved		Index 2 / 2012-07-19		scale: 2:1		
design	2011-09-07	description:				page: 1 of: 1		
chk.	Scheerer	Protection cover M16x1,5						
		drawing-no.:	BA-Z0005	doc.-no.:	00673785			
		order-no.:	1453368					
		article designation:	SACC-M16-SEALING PLUG SET					