

1

2

3

4

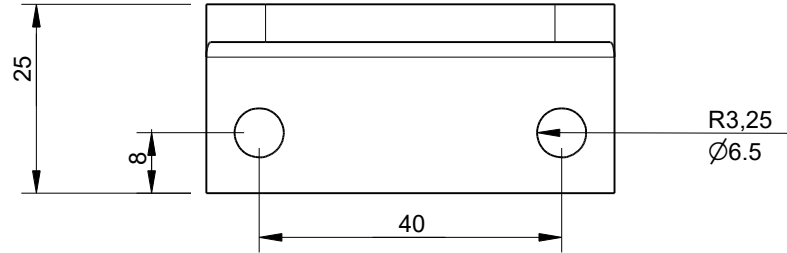
5

6

RevNo	Revision note		Date	Signature	Checked
-------	---------------	--	------	-----------	---------

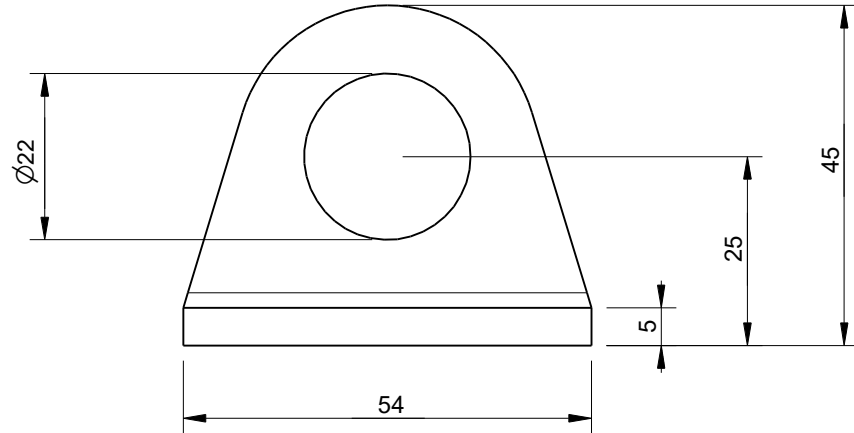
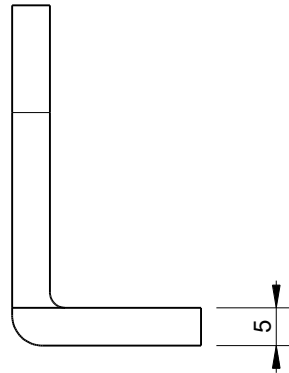
A

A



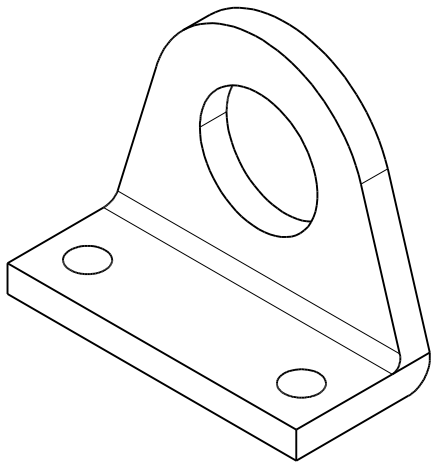
B

B



C

C



D

D

Itemref	Quantity	Title/Name, designation, material, dimension etc			Article No./Reference	
Drawn by Kevin Damen		Checked by	Approved by - date	File name	Date 8-4-2020	Scale 1:1
4551				4551		Edition
						Sheet 1 OF 1

1

2

3

4

5

6