

1

2

3

4

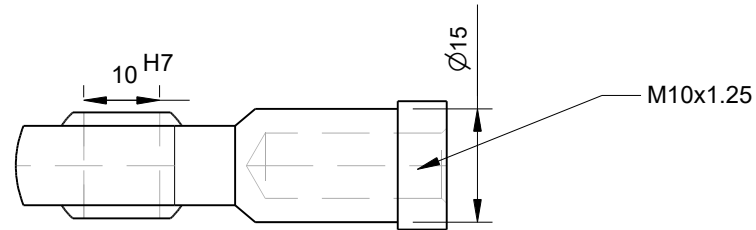
5

6

RevNo	Revision note		Date	Signature	Checked
-------	---------------	--	------	-----------	---------

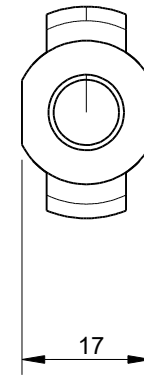
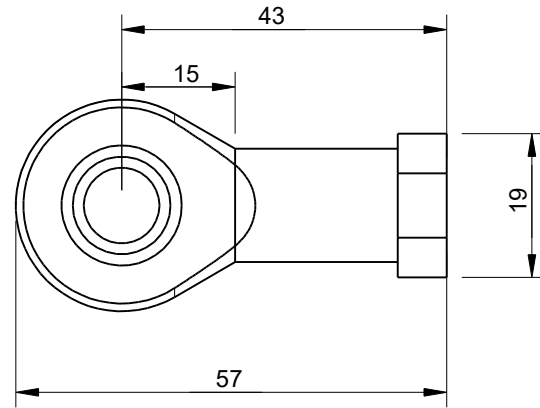
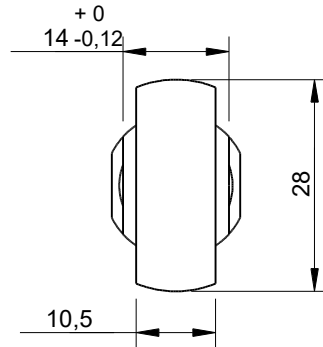
A

A



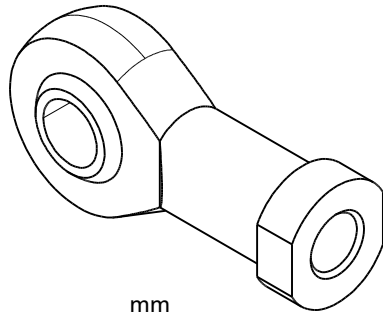
B

B



C

C



D

D

Units: mm
 Tolerances: +/- 0.2mm Unless Otherwise specified
 Material: Steel
 Surface Finish: Galvanized
 Weight: 78 grams

Itemref	Quantity	Title/Name, designation, material, dimension etc			Article No./Reference	
Drawn by Kevin Damen	Checked by	Approved by - date	File name	Date 23-8-2020	Scale 1:1	
4026			www.damencnc.com			
						4026

1

2

3

4

5

6