

1

2

3

4

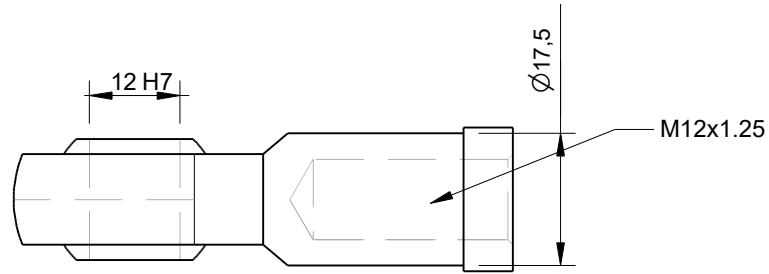
5

6

RevNo	Revision note		Date	Signature	Checked
-------	---------------	--	------	-----------	---------

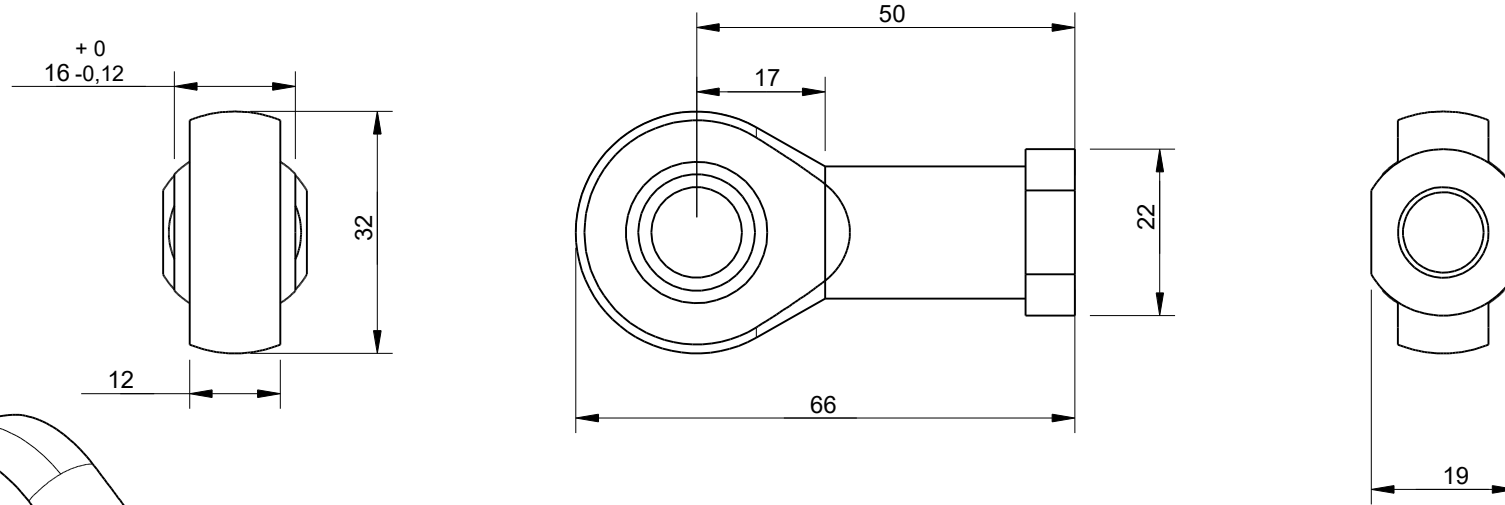
A

A



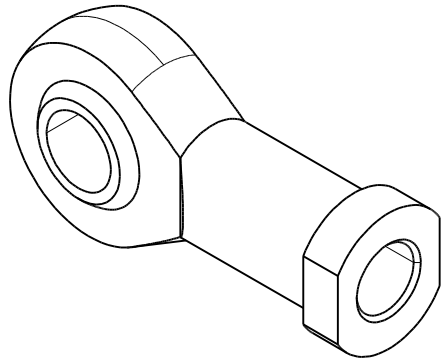
B

B



C

C



D

D

Units: mm  
 Tolerances: +/- 0.2mm Unless Otherwise specified  
 Material: Steel  
 Surface Finish: Galvanized  
 Weight: 116 grams

Itemref	Quantity	Title/Name, designation, material, dimension etc	Article No./Reference		
Drawn by Kevin Damen	Checked by	Approved by - date	File name	Date 29-6-2021	Scale 1:1

# 4027

[www.damencnc.com](http://www.damencnc.com)

4027 W0950402025 Rod-Eye GA-M M12x1.25	Edition	Sheet 1 OF 1
--	---------	-----------------

1

2

3

4

5

6