

1

2

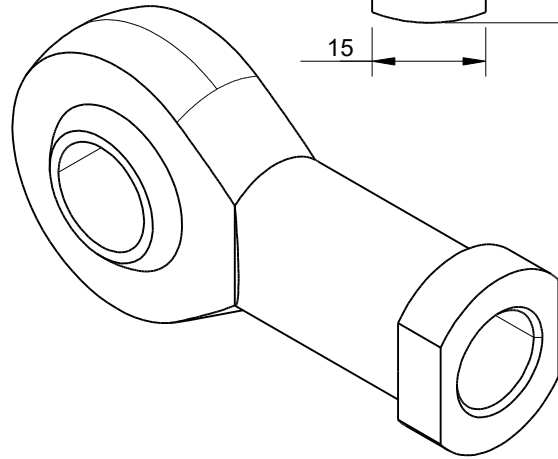
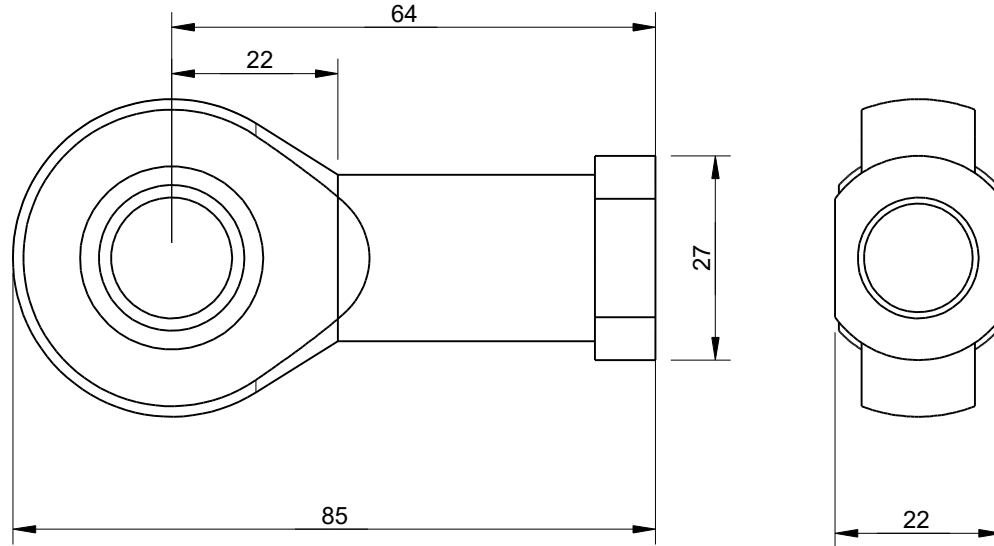
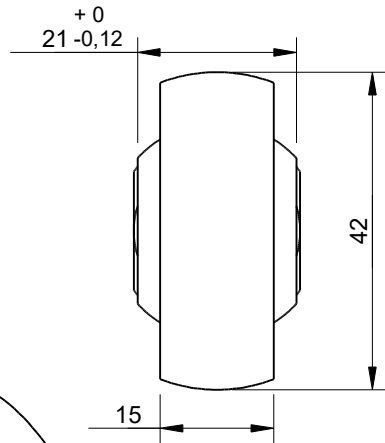
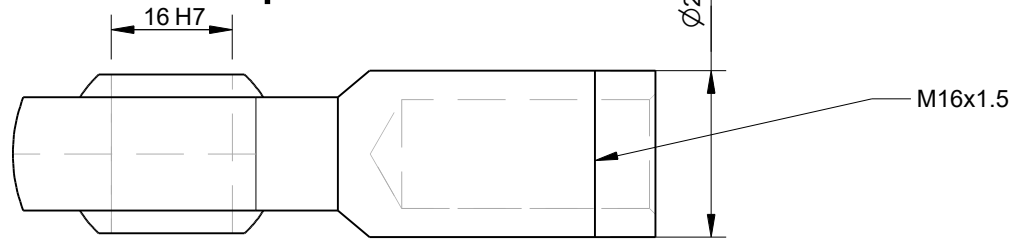
3

4

5

6

RevNo	Revision note	Date	Signature	Checked
-------	---------------	------	-----------	---------



Units: mm
 Tolerances: +/- 0.2mm Unless Otherwise specified
 Material: Steel
 Surface Finish: Galvanized
 Weight: 226 grams

Itemref	Quantity	Title/Name, designation, material, dimension etc	Article No./Reference		
Drawn by Kevin Damen	Checked by	Approved by - date	File name	Date 29-6-2021	Scale 1:1

4028

www.damencnc.com

4028 W0950502025 Rod-Eye GA-M M16x1.5	Edition	Sheet 1 OF 1
---------------------------------------	---------	-----------------

1

2

3

4

5

6