

1

2

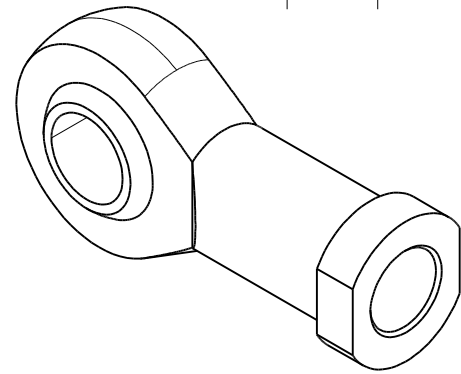
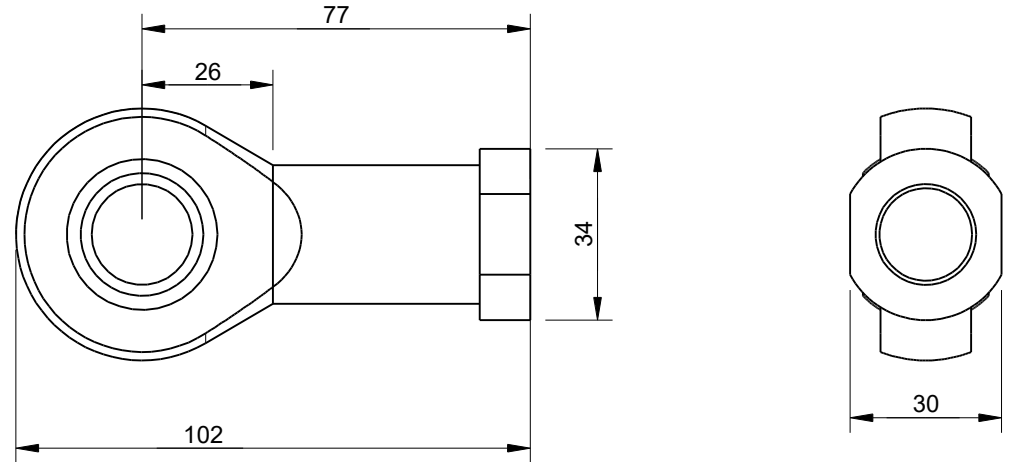
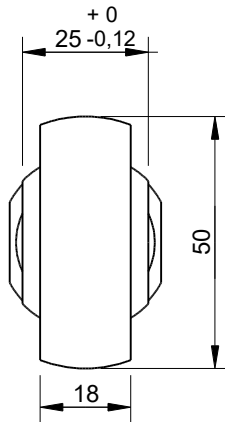
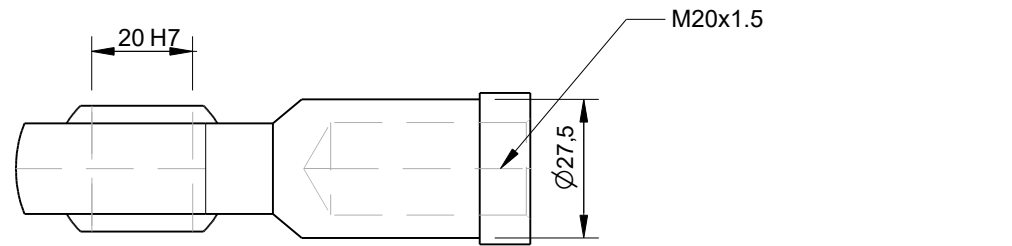
3

4

5

6

RevNo	Revision note	Date	Signature	Checked
-------	---------------	------	-----------	---------



Units: mm
 Tolerances: +/- 0.2mm Unless Otherwise specified
 Material: Steel
 Surface Finish: Galvanized
 Weight: 404 grams

Itemref	Quantity	Title/Name, designation, material, dimension etc			Article No./Reference	
Drawn by Kevin Damen	Checked by	Approved by - date	File name	Date 29-6-2021	Scale 2:3	
4029			www.damencnc.com			
						4029 W0950802025 Rod-Eye GA-M M20x1.5

1

2

3

4

5

6