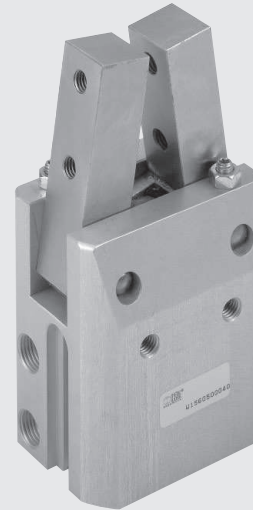


GRIPPERS WITH 2 HINGED JAWS – SERIES P7



Hinged grippers with 30° opening angle. Bores 16, 20, 32 and 50 mm.
All grippers are magnetic with slots in the body with retracting sensors.

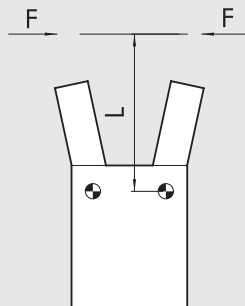


ACTUATORS

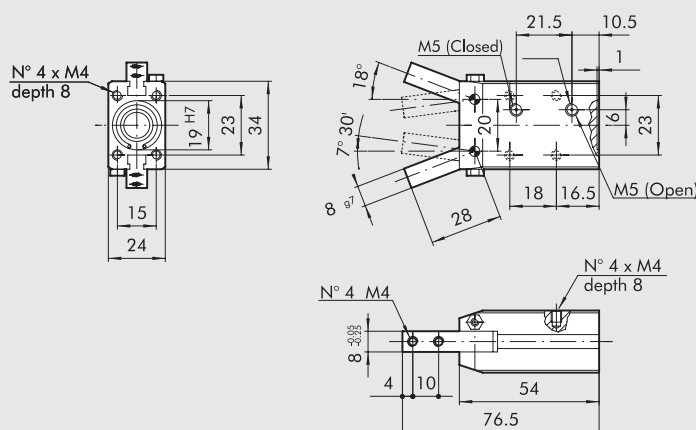
GRIPPERS WITH 2 HINGED JAWS – SERIES P7

TECHNICAL DATA		P7-16	P7-20	P7-32	P7-50
Operating pressure	bar	2 to 10	2 to 10	2 to 10	2 to 10
	MPa	0.2 to 1	0.2 to 1	0.2 to 1	0.2 to 1
	psi	29 to 145	29 to 145	29 to 145	29 to 145
Fluid	20 µm filtered, lubricated or unlubricated air; lubrication if used, it must be continuous.				
Temperature range	°C	-10 to +80			
Clamping force at 6.3 bar 20 mm from the centre of rotation of the jaws, during opening and closing	N	27	50	120	380
Weight	kg	0.12	0.19	0.5	1.6

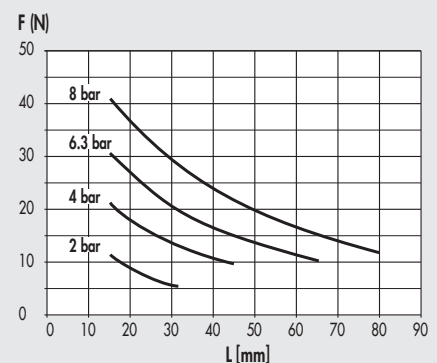
TABLE OF CLAMPING FORCES FOR VARIOUS POINTS OF APPLICATION



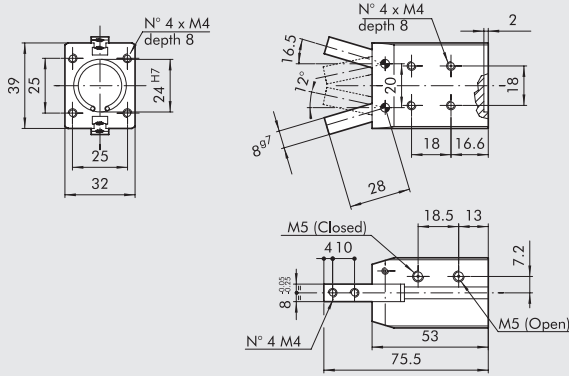
DIMENSIONS OF GRIPPERS P7-16



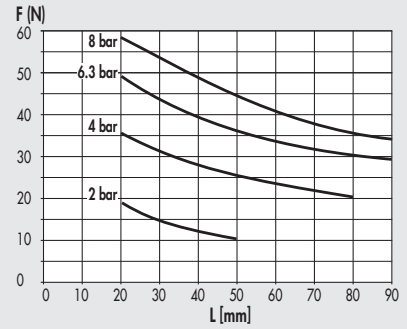
Code W1590160200 Description Gripper with 2 hinged jaws P7-16



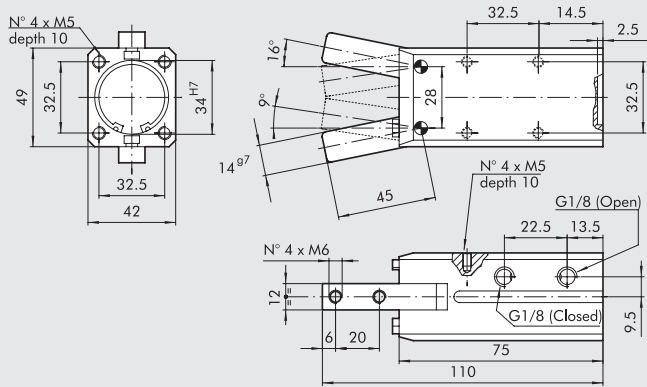
DIMENSIONS OF GRIPPERS P7-20



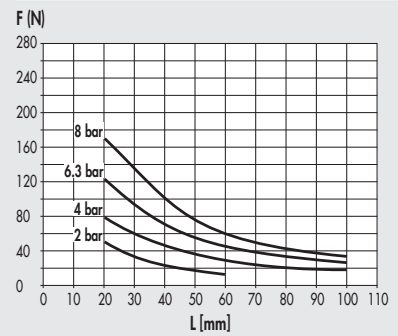
Code W1590200200 **Description** Gripper with 2 hinged jaws P7-20



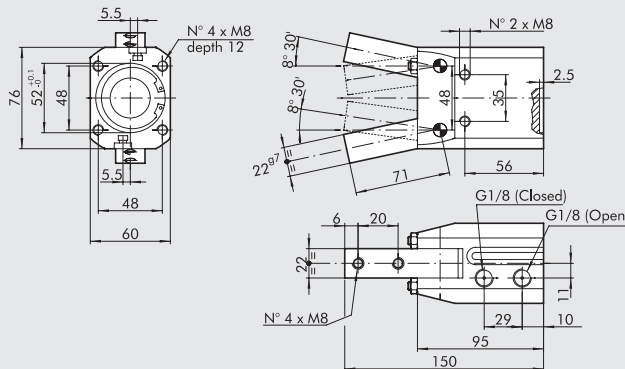
DIMENSIONS OF GRIPPERS P7-32



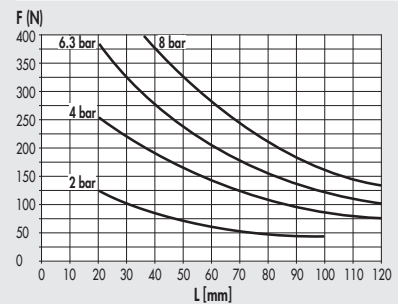
Code W1590320200 **Description** Gripper with 2 hinged jaws P7-32



DIMENSIONS OF GRIPPERS P7-50

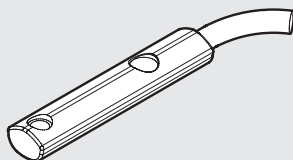


Code W1590500200 **Description** Gripper with 2 hinged jaws P7-50



ACCESSORIES

RETRACTABLE SENSOR WITH INSERTION FROM ABOVE



Code	Description
W0952025390	HALL N.O. sensor, vertical insertion 2.5 m
W0952029394	HALL N.O. sensor, vertical insertion 300 mm M8
W0952022180	REED N.O. sensor, vertical insertion 2.5 m
W0952028184	REED N.O. sensor, vertical insertion 300 mm M8
W0952125556	HALL N.O. sensor, vertical insertion 2 m ATEX
W0952025500*	HALL N.O. sensor, vertical insertion HS 2.5 m
W0952029504*	HALL N.O. sensor, vertical insertion HS 300 mm M8
W0952022500*	REED N.O. sensor, vertical insertion HS 2.5 m
W0952128184*	REED N.O. sensor, vertical insertion HS 300 mm M8

* For use when standard sensors do not detect the magnet, e.g. near metal masses.
* For technical data see page 1-312