

6

5

4

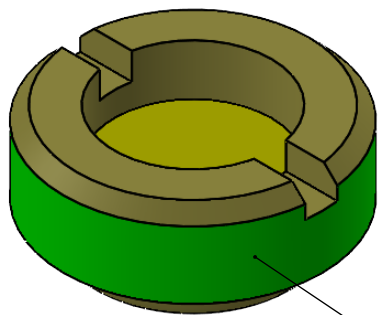
3

2

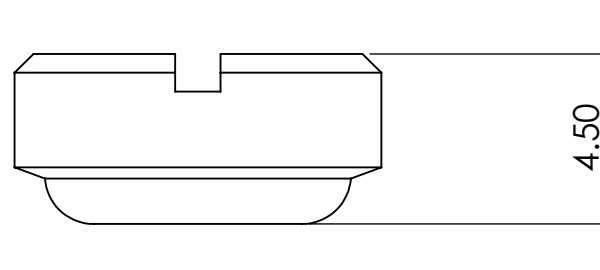
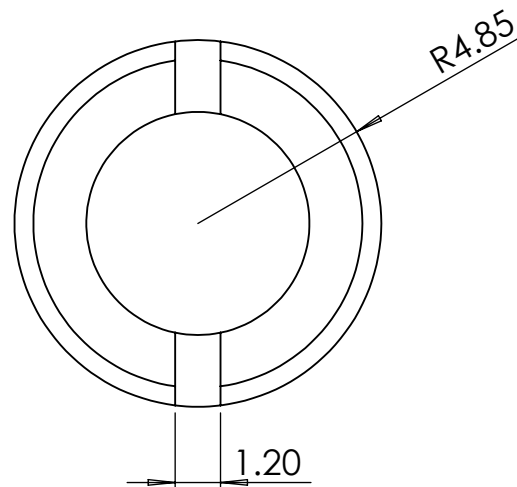
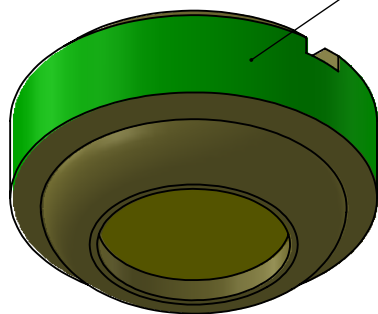
1

D

D



1/8 inch Thread BSPP (G)



C

C

B

B

A

A



Scale 1:1

Unless otherwise specified: 1. Tolerances $\pm 0.1$ mm	Units: <b>mm</b>	Drawn By: Cas Jansen	Date: 21/06/2022	<b>www.damencnc.com</b>
	Material: <b>Nickel-plated brass</b>	Checked By:	Date:	
Size <b>A4</b>		Sheet: <b>1 of 1</b>	Part name: <b>Z407000045 SP Sound damper 1/8"</b>	
		Scale: <b>5:1</b>	Part number: <b>5966</b>	Rev. <b>A</b>

6

5

4

3

2

1