

1

2

3

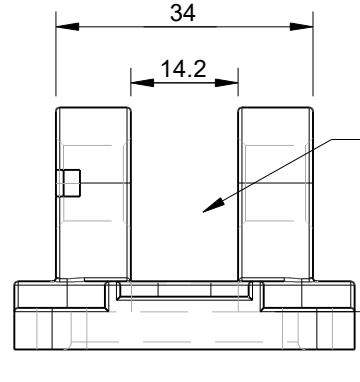
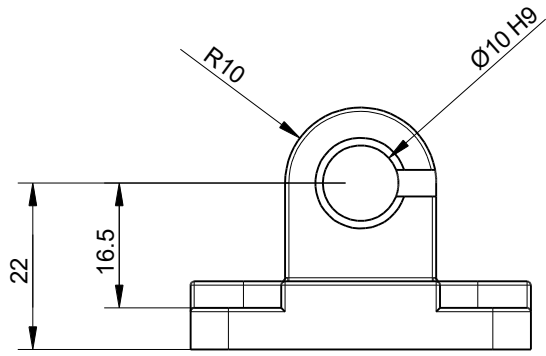
4

5

6

RevNo	Revision note	Date	Signature	Checked
-------	---------------	------	-----------	---------

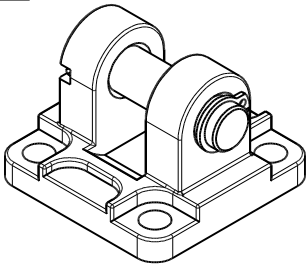
A



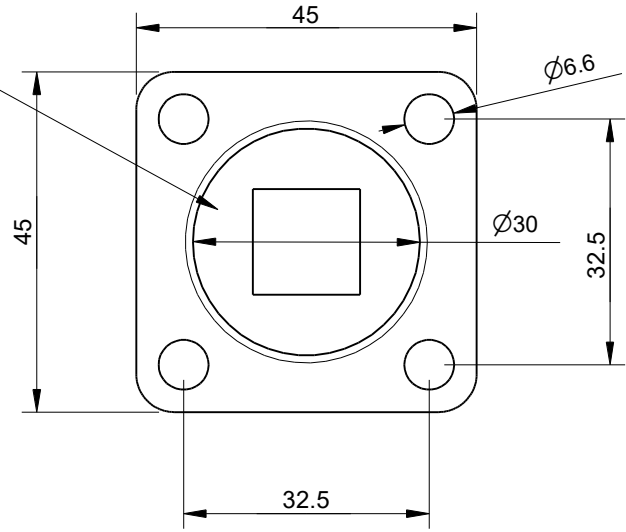
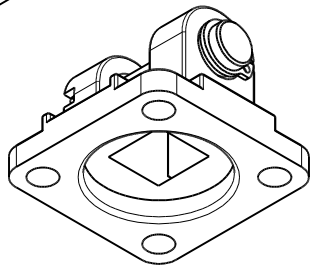
Suitable for Rode-Eye GA-M M10x1.25 (4026)

B

Suitable for Ø32mm Pneumatic actuator ISO 15552



SCALE 1:1.5



C

D

Itemref	Quantity	Title/Name, designation, material, dimension etc			Article No./Reference	
Drawn by Cas Jansen		Checked by	Approved by - date	File name	Date 16-4-2021	Scale 1:1

Units	mm
Tolerances	± 0.2mm unless otherwise specified

5560

www.damencnc.com

5560 Z40W0950322003SP Female Hinge - Model B 032 - for Rod-Eye GA-M M10x1.25

Edition	Sheet
	1 OF 1

1

2

3

4

5

6