

1

2

3

4

5

6

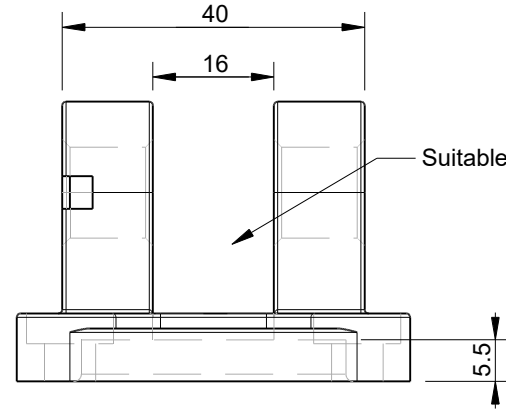
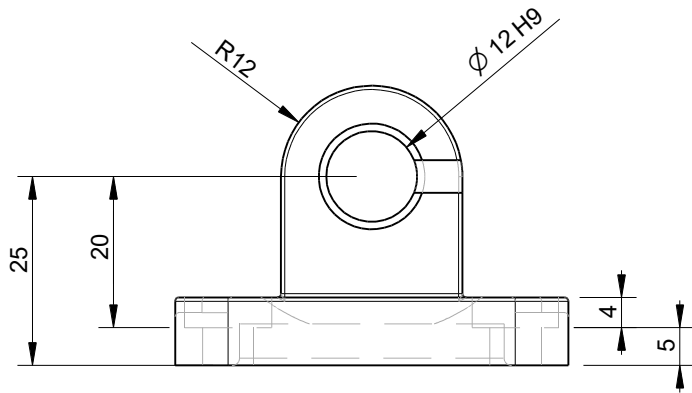
RevNo

Revision note

Date

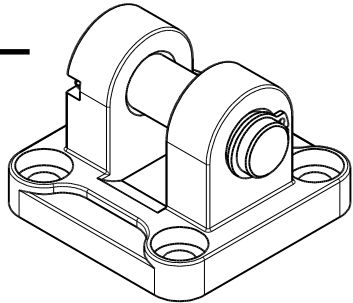
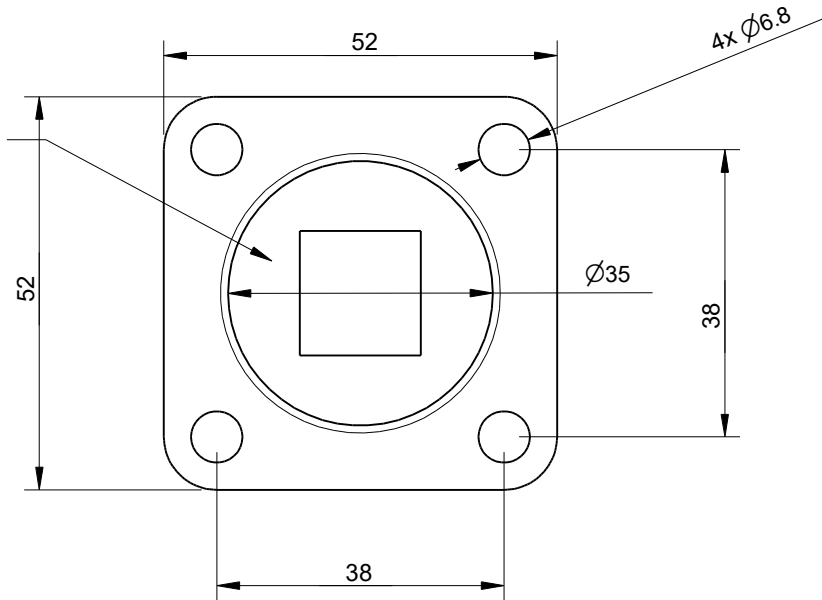
Signature

Checked

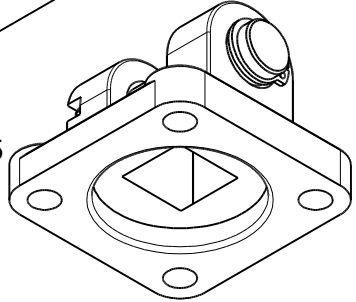


Suitable for Rode-Eye GA-M M12x1.5 (4027)

Suitable for $\varnothing 40$ mm Pneumatic actuator ISO 15552



SCALE 1:1.5



Itemref	Quantity	Title/Name, designation, material, dimension etc			Article No./Reference	
Drawn by Cas Jansen	Checked by	Approved by - date	File name	Date 28-6-2021	Scale 1:1	

Units	mm
Tolerances	± 0.2 mm unless otherwise specified

5561

www.damencnc.com

5561 Z40W0940502003SP Female Hinge Model B 040 - for Rod-Eye GA-M M12x1.25	Edition	Sheet 1 OF 1
---	---------	-----------------

1

2

3

4

5

6