

1

2

3

4

5

6

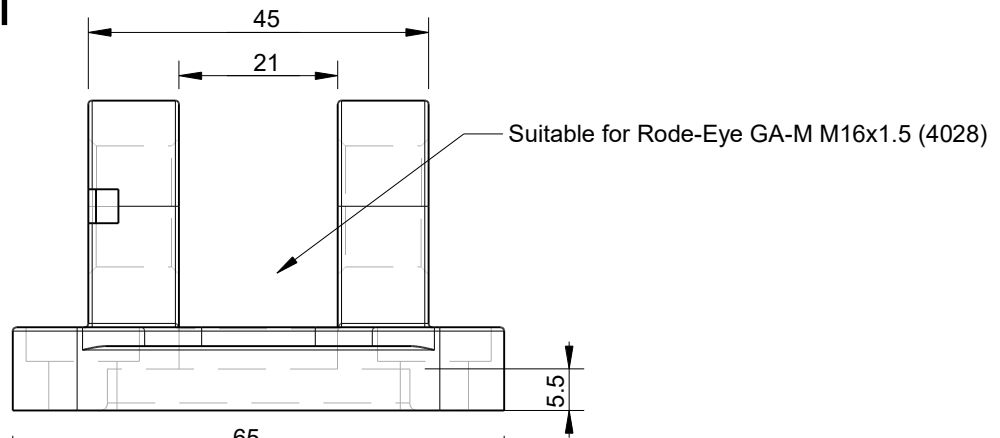
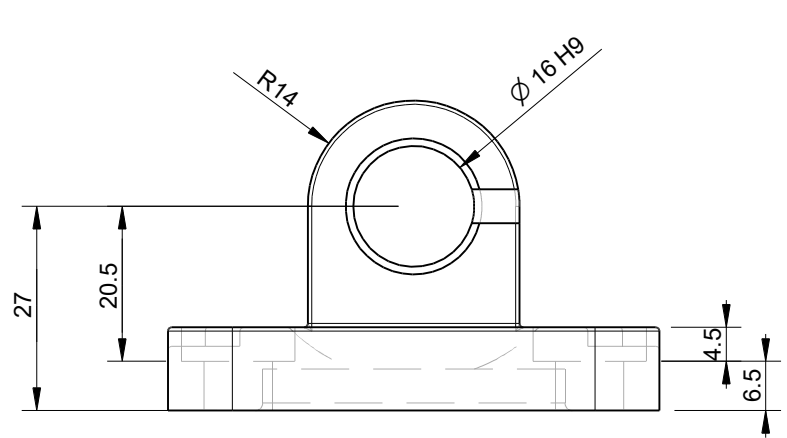
RevNo

Revision note

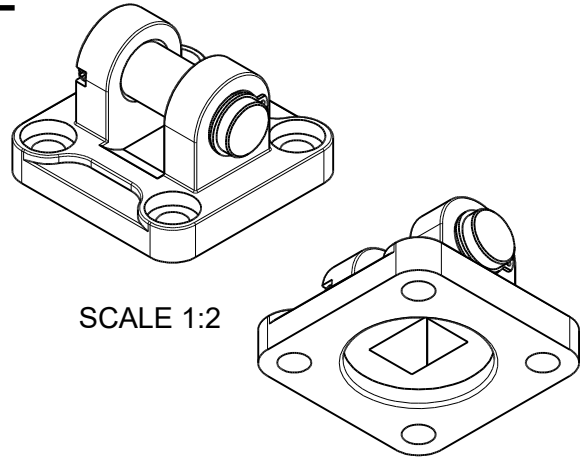
Date

Signature

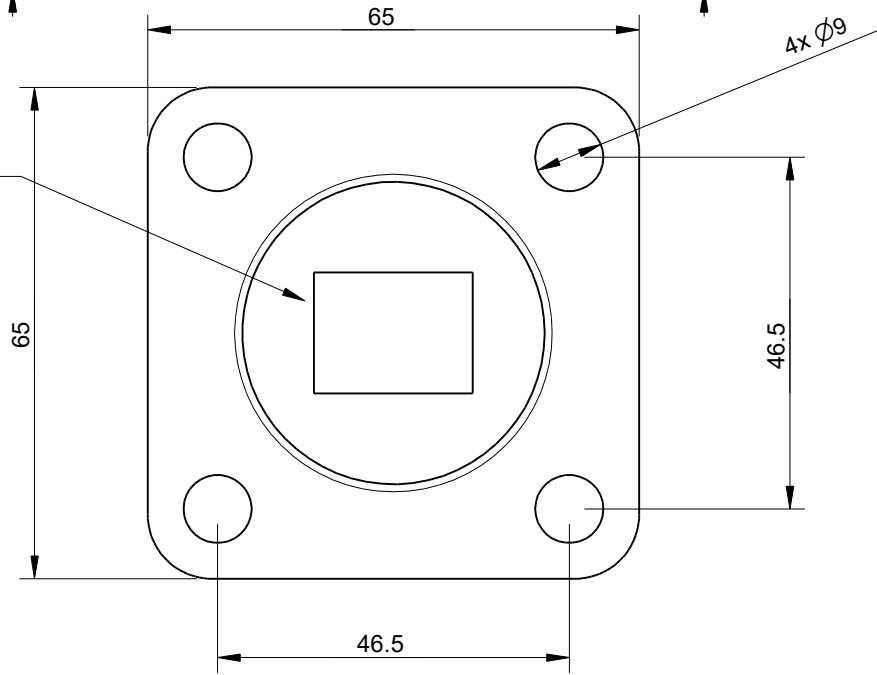
Checked



Suitable for Ø50mm Pneumatic actuator ISO 15552



SCALE 1:2



Itemref	Quantity	Title/Name, designation, material, dimension etc			Article No./Reference	
Drawn by Cas Jansen	Checked by	Approved by - date	File name	Date 28-6-2021	Scale 1:1	

Units	mm
Tolerances	± 0.2mm unless otherwise specified

5562

www.damencnc.com

5562 Z40W0950402003SP Female Hinge - Model B 050 - for Rod-Eye GA-M M16x1.5	Edition	Sheet 1 OF 1
---	---------	-----------------

1

2

3

4

5

6