

1

2

3

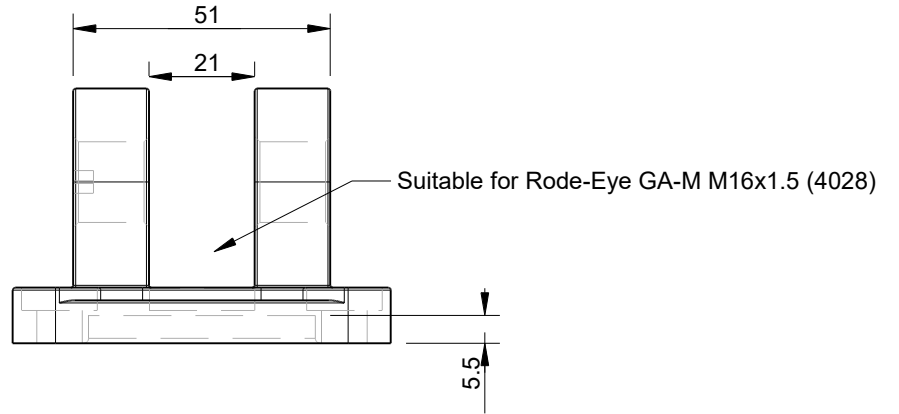
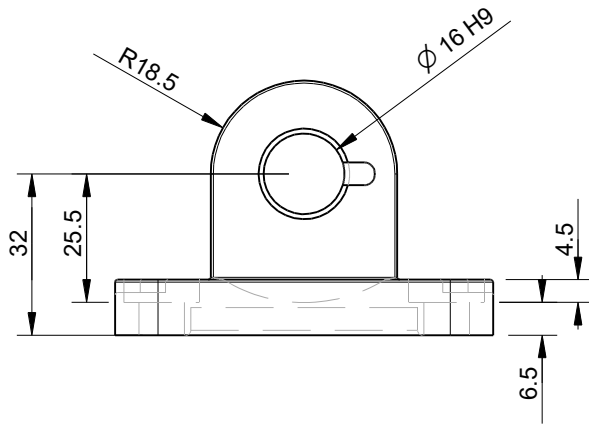
4

5

6

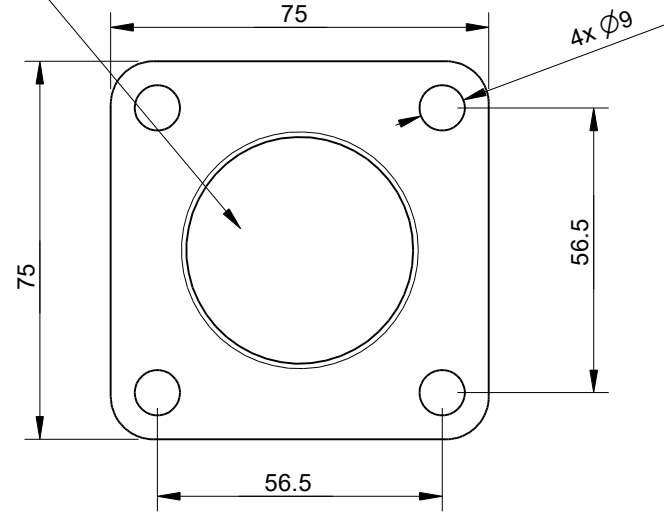
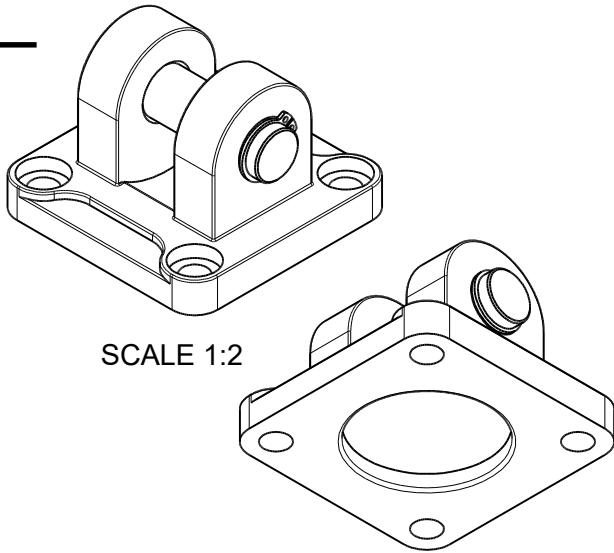
RevNo	Revision note	Date	Signature	Checked
-------	---------------	------	-----------	---------

A



Suitable for Ø63mm Pneumatic actuator ISO 15552

B



C

A

B

C

D

Itemref	Quantity	Title/Name, designation, material, dimension etc			Article No./Reference	
Drawn by Cas Jansen		Checked by	Approved by - date	File name	Date 28-6-2021	Scale 1:1.5

Units	mm
Tolerances	± 0.2mm unless otherwise specified

5563

www.damencnc.com

5563 Z40W0950632003SP Female Hinge - Model B 063 - for Rod-Eye GA-M M16x1.5	Edition	Sheet 1 OF 1
---	---------	-----------------

1

2

3

4

5

6