

1

2

3

4

5

6

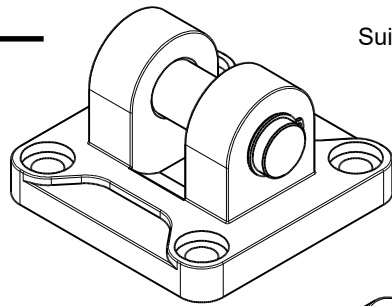
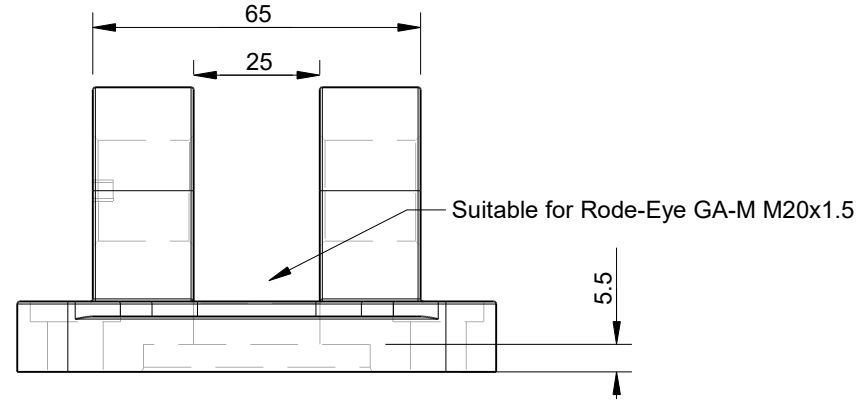
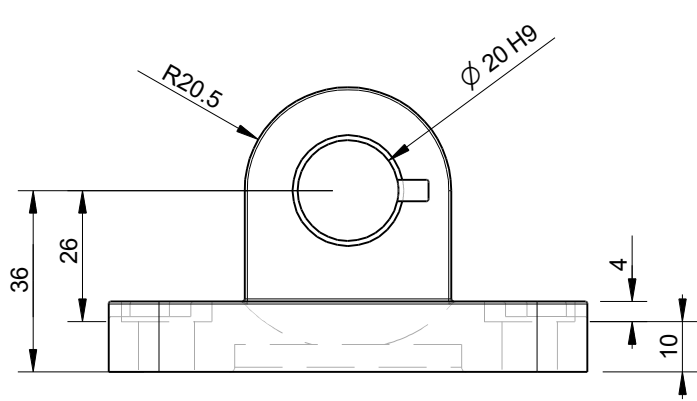
RevNo	Revision note	Date	Signature	Checked
-------	---------------	------	-----------	---------

A

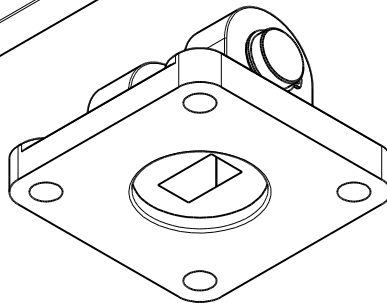
B

C

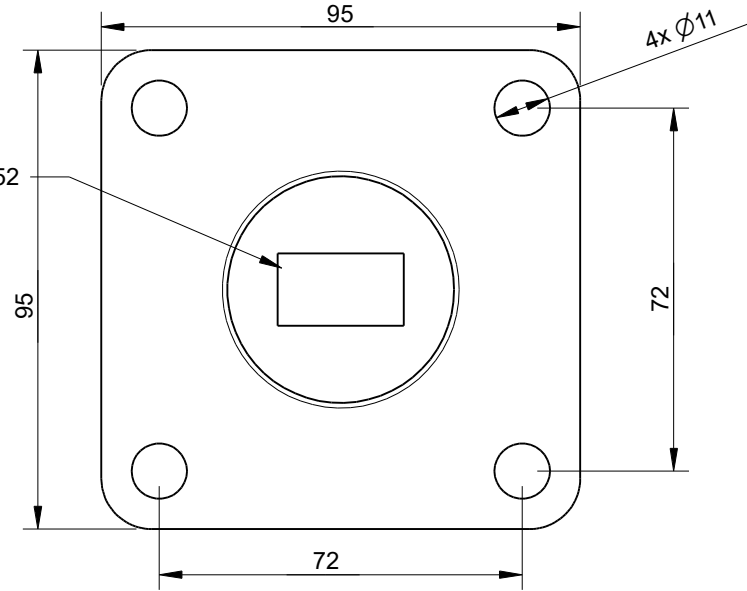
D



SCALE 1:2.5



Suitable for Ø80mm Pneumatic actuator ISO 15552



Itemref	Quantity	Title/Name, designation, material, dimension etc			Article No./Reference	
Drawn by Cas Jansen		Checked by	Approved by - date	File name	Date 28-6-2021	Scale 1:1.5

Units	mm
Tolerances	± 0.2mm unless otherwise specified

5564

www.damencnc.com

5564 Z40W0950802003SP Female Hinge - Model B 080 - for Rod-Eye GA-M M20x1.5	Edition	Sheet 1 OF 1
---	---------	-----------------

1

2

3

4

5

6