

1

2

3

4

5

6

| | | | | |
|-------|---------------|------|-----------|---------|
| RevNo | Revision note | Date | Signature | Checked |
|-------|---------------|------|-----------|---------|

A

B

C

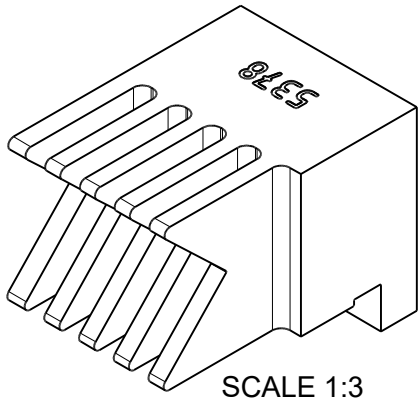
D

A

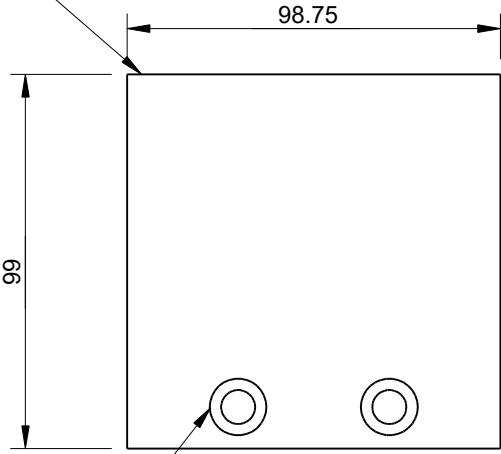
B

C

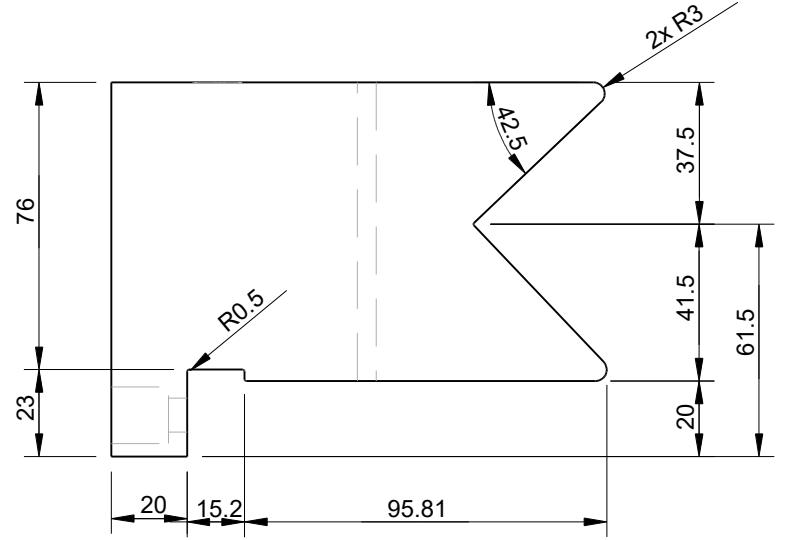
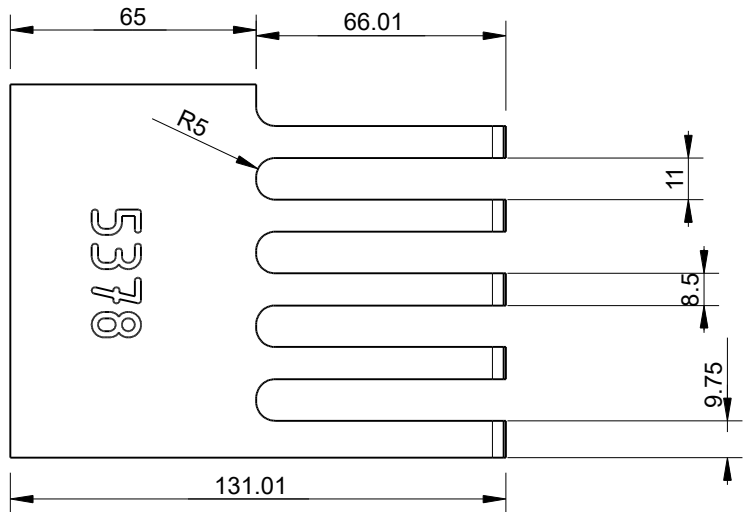
D



Break all sharp edges of 0.2mm



2x $\varnothing 15 \nabla 15$
 $\varnothing 9 \nabla$ THRU



| | |
|----------------|---|
| Units | mm |
| Tolerances | ± 0.1 mm unless otherwise specified |
| Material | Alu 6082 |
| Tumbling | No |
| Surface finish | None |

| | | | | | | |
|------------------------|---------------------------|--|-----------|--------------------|-----------------------|--|
| Itemref | Quantity | Title/Name, designation, material, dimension etc | | | Article No./Reference | |
| Drawn by Cas Jansen | Checked by Kevin Damen | Approved by - date 7-12-2020 | File name | Date 17-12-2020 | Scale 1:2 | |

5378

www.damencnc.com

| | | |
|---|---------|-----------------|
| 5378 Single Jaw, for V-jaws 8-80mm \varnothing , for W1580300200 | Edition | Sheet 1 OF 1 |
|---|---------|-----------------|

1

2

3

4

5

6