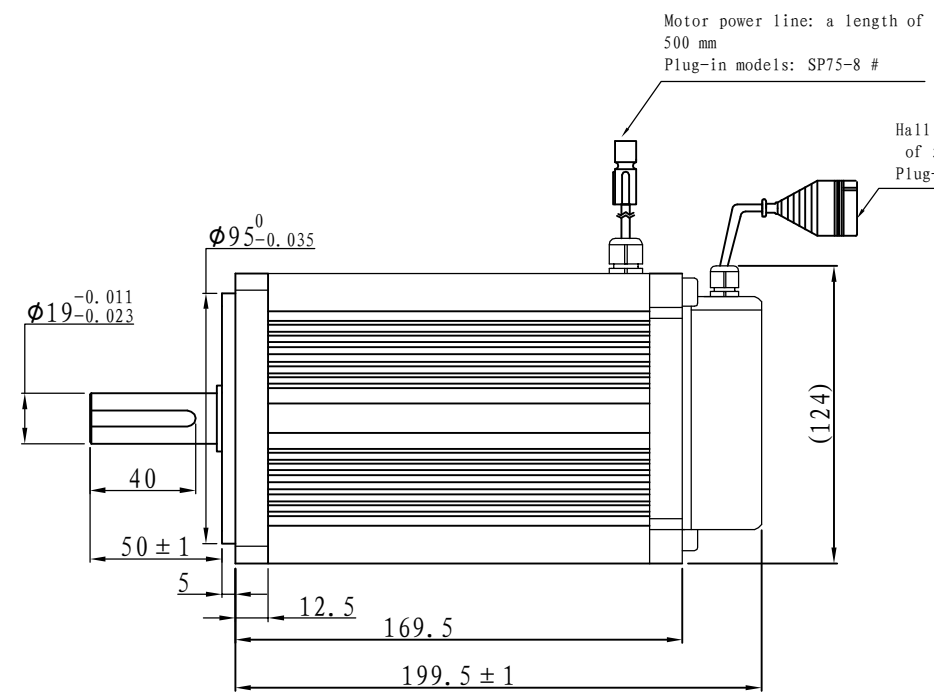
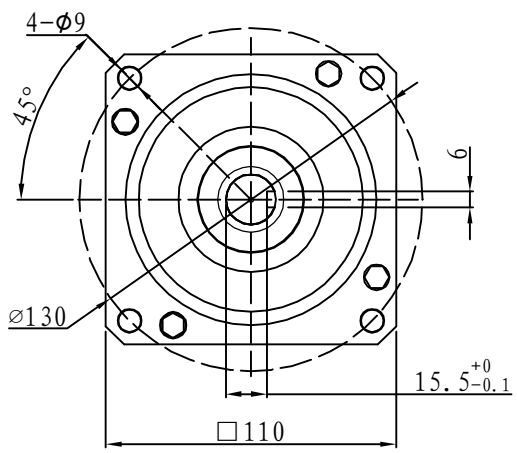
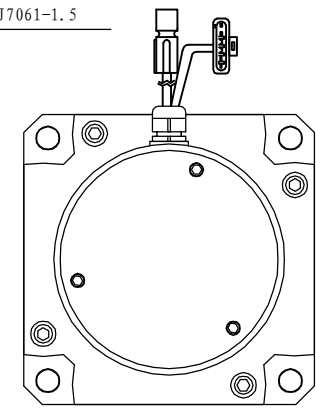


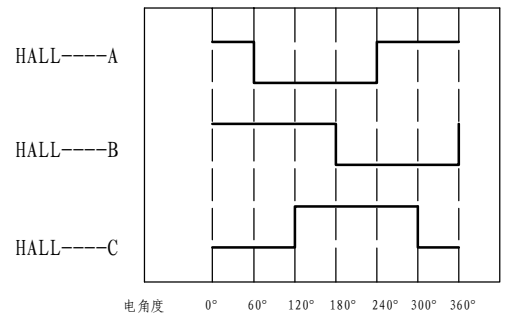
**Demension**



Hall signal lines: a length of 500 mm  
Plug-in type: DJ7061-1.5



**Motor to Hall Relationship**



**Line Define**

**Power Wire**

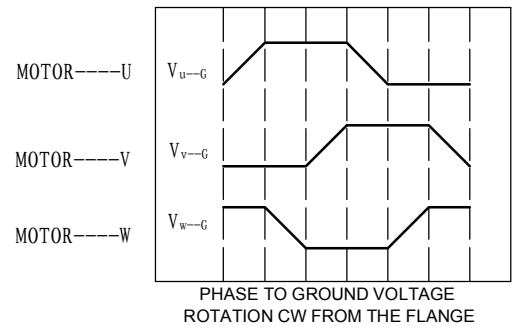
Red	Motor U
Yellow	Motor V
Blue	Motor W

**Feedback Wire**

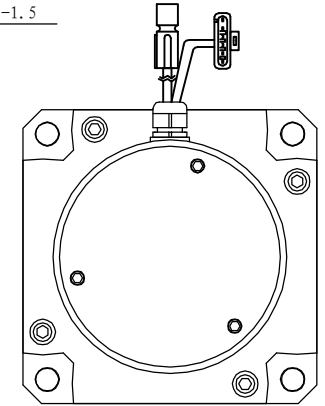
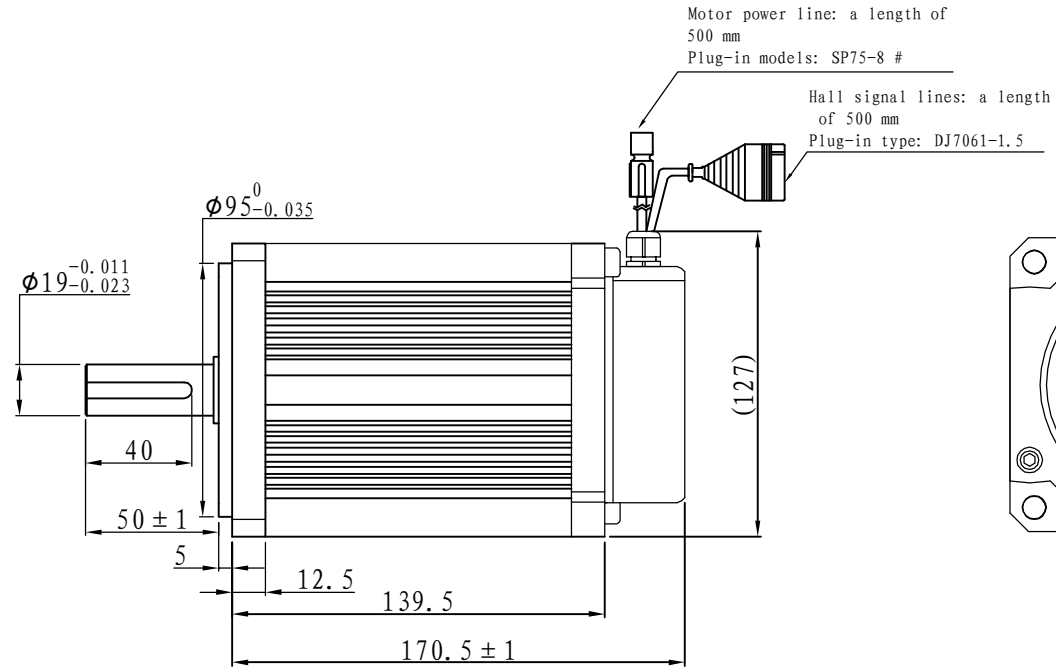
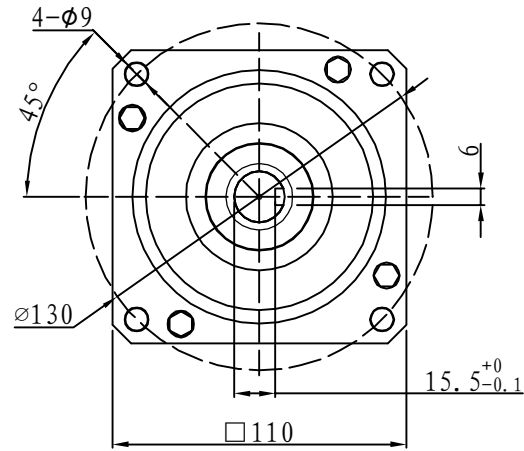
Hall line colour	Hall signal definition	Plug serial number
Orange and black	5V	1
Orange	0V	2
Yellow	Hall A	4
Blue	Hall B	5
Green	Hall C	6

**Tecnichal Data**

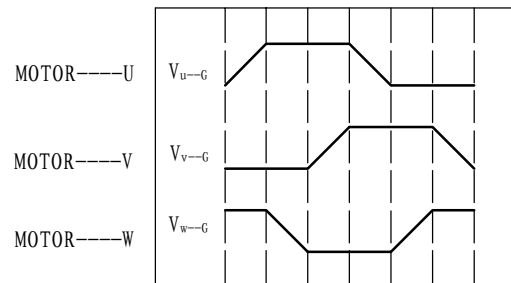
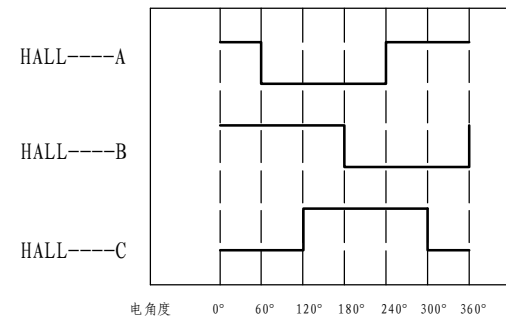
Type	110WD-M04020-24V
Power (KW)	0.8
Rated voltage (V)	24
Rated current (A)	43.6
Rated speed (rpm)	2000
Rated torque (NM)	4
Rotor inertia (Kgcm <sup>2</sup> )	6.5
Protection rank	IP65
Insulation rank	F
Appropriate environment	Temperature: 0~50℃ Humidity: <90% (No dewdrop)
Motor weight (KG)	5.65



## Demension



## Motor to Hall Relationship



PHASE TO GROUND VOLTAGE  
ROTATION CW FROM THE FLANGE

## Line Define

### Power Wire

Red	Motor U
Yellow	Motor V
Blue	Motor W

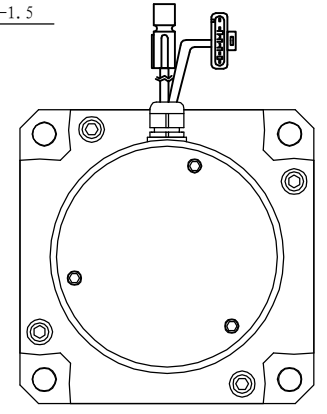
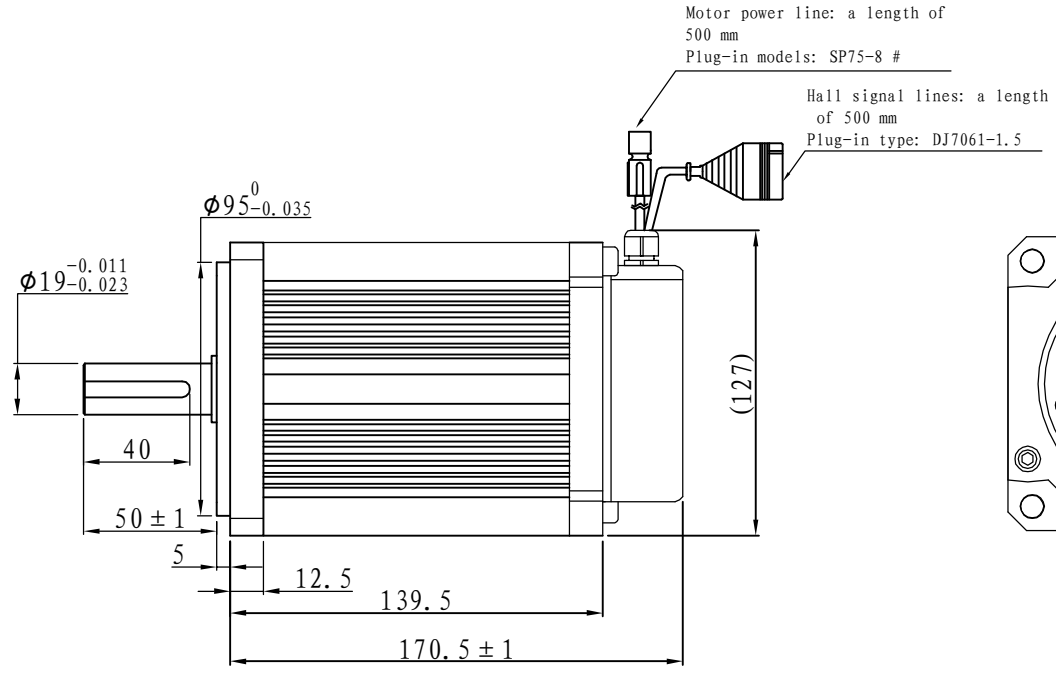
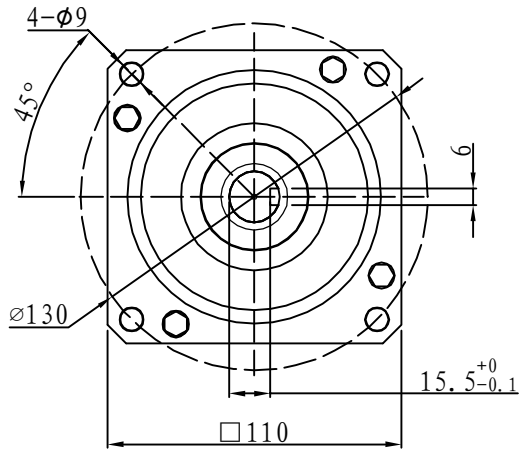
### Feedback Wire

Hall line colour	Hall signal definition	Plug serial number
Orange and black	5V	1
Orange	0V	2
Yellow	Hall A	3
Blue	Hall B	4
Green	Hall C	5

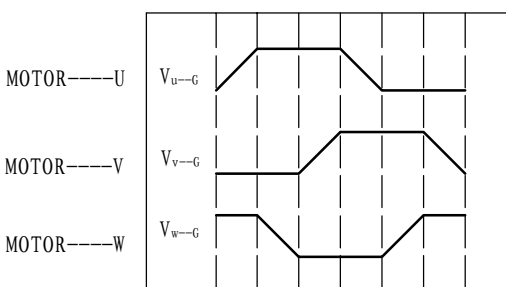
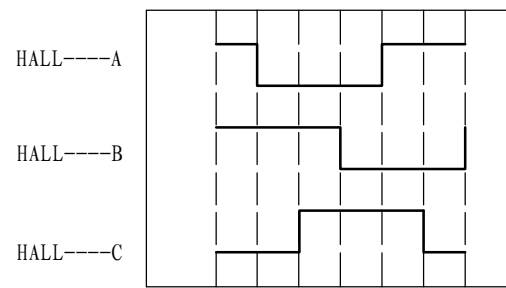
## Tecnichal Data

Type	110WD-M04020-48V
Power (KW)	0.8
Rated voltage (V)	48
Rated current (A)	21.8
Rated speed (rpm)	2000
Rated torque (NM)	4
Rotor inertia (Kgc <sup>m2</sup> )	6.5
Protection rank	IP65
Insulation rank	F
Appropriate environment	<b>Temperature: 0 ~ 50°C</b> <b>Humidity: &lt; 90%</b> <b>(No dewdrop)</b>
Motor weight (KG)	5.65

## Demension



## Motor to Hall Relationship



PHASE TO GROUND VOLTAGE  
ROTATION CW FROM THE FLANGE

## Line Define

### Power Wire

Red	Motor U
Yellow	Motor V
Blue	Motor W

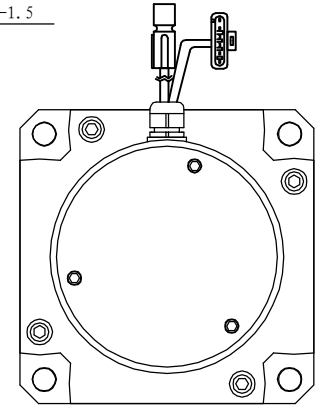
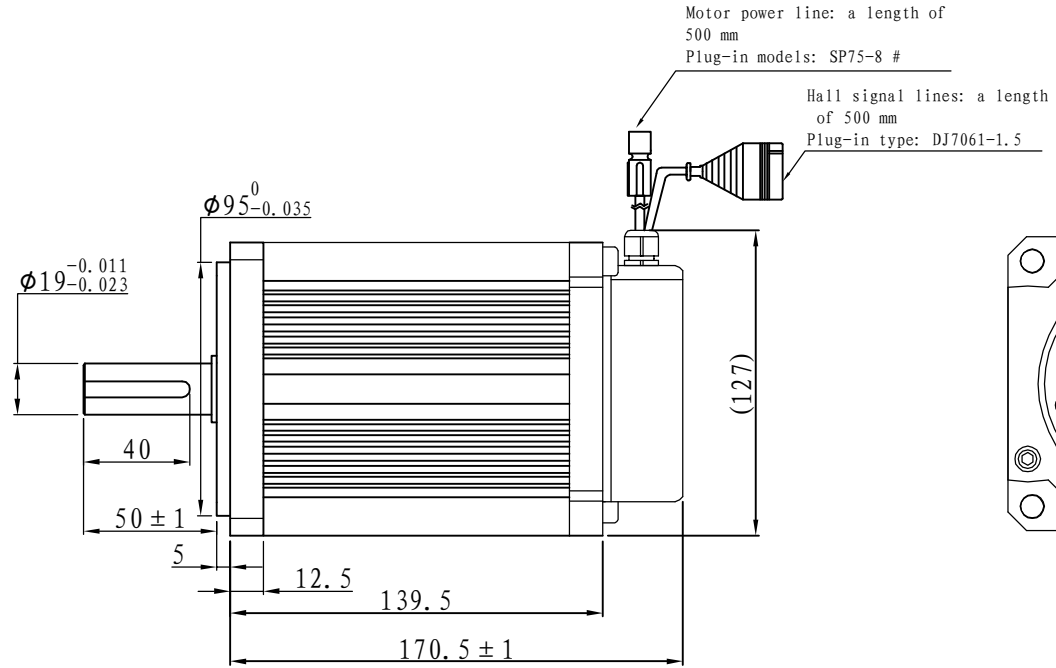
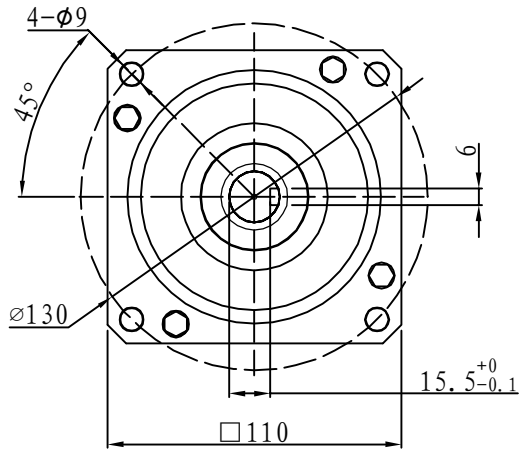
### Feedback Wire

Hall line colour	Hall signal definition	Plug serial number
Orange and black	5V	1
Orange	0V	2
Yellow	Hall A	3
Blue	Hall B	4
Green	Hall C	5

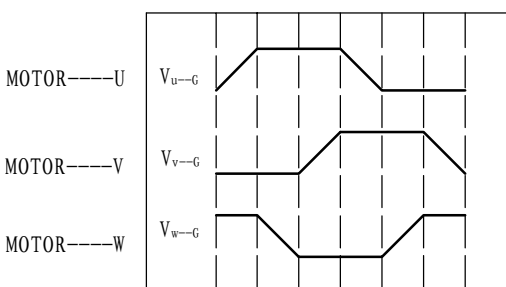
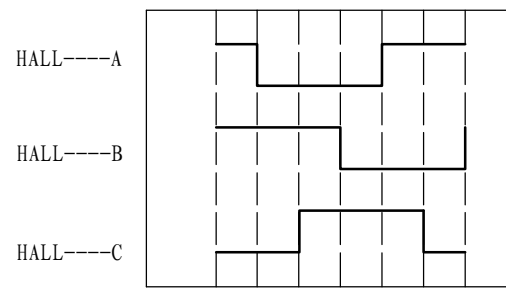
## Tecnichal Data

Type	110WD-M04020-72V
Power (KW)	0.8
Rated voltage (V)	72
Rated current (A)	14.5
Rated speed(rpm)	2000
Rated torque (NM)	4
Rotor inertia (Kgc <sup>m</sup> 2)	6.5
Protection rank	IP65
Insulation rank	F
Appropriate environment	<b>Temperature: 0 ~ 50°C</b> <b>Humidity: &lt; 90%</b> <b>(No dewdrop)</b>
Motor weight (KG)	5.65

## Demension



## Motor to Hall Relationship



PHASE TO GROUND VOLTAGE  
ROTATION CW FROM THE FLANGE

## Line Define

### Power Wire

Red	Motor U
Yellow	Motor V
Blue	Motor W

### Feedback Wire

Hall line colour	Hall signal definition	Plug serial number
Orange and black	5V	1
Orange	0V	2
Yellow	Hall A	3
Blue	Hall B	4
Green	Hall C	5

## Tecnichal Data

Type	110WD-M04020-96V
Power (KW)	0.8
Rated voltage (V)	96
Rated current (A)	10.9
Rated speed (rpm)	2000
Rated torque (NM)	4
Rotor inertia (Kgc <sup>m2</sup> )	6.5
Protection rank	IP65
Insulation rank	F
Appropriate environment	<b>Temperature: 0 ~ 50°C</b> <b>Humidity: &lt; 90%</b> <b>(No dewdrop)</b>
Motor weight (KG)	5.65