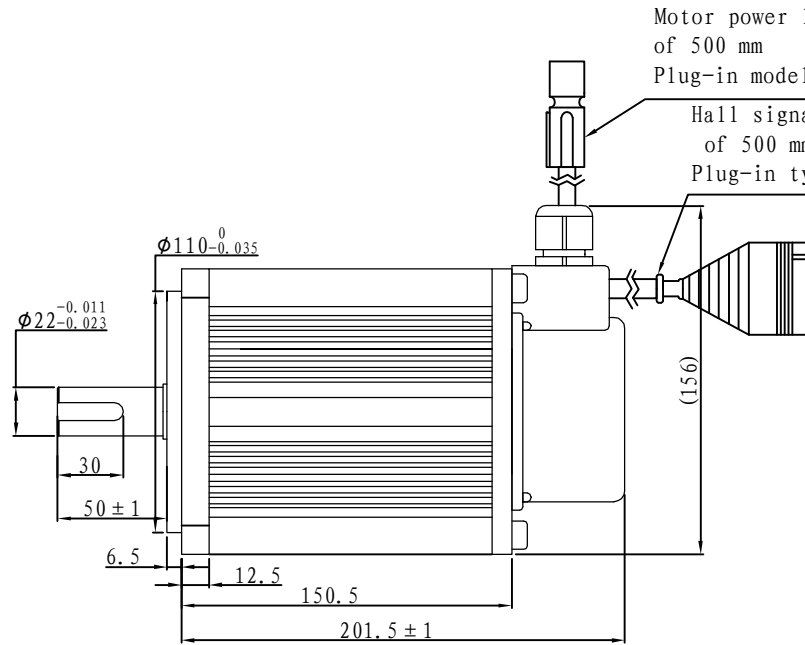
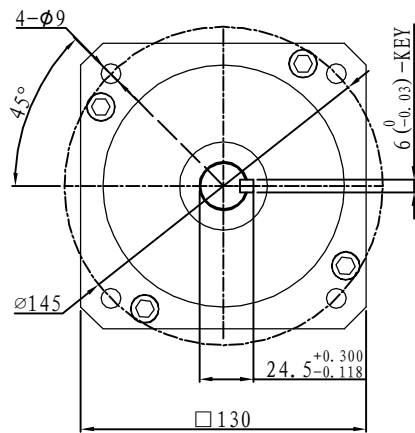


Demension

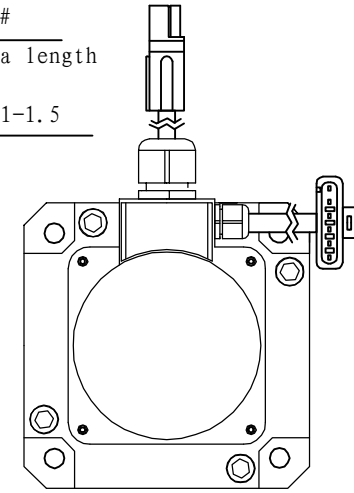


Motor power line: a length of 500 mm

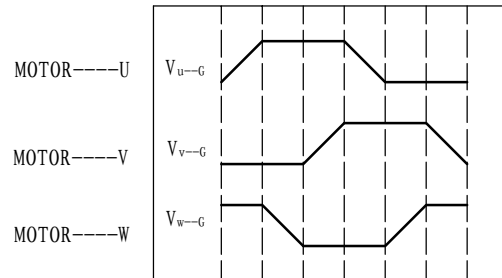
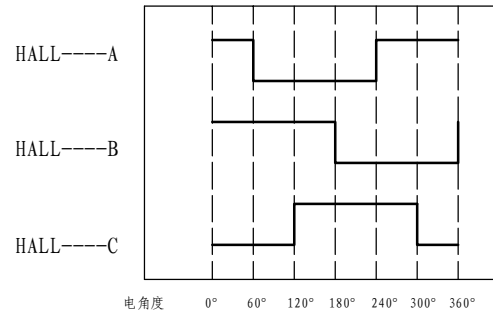
Plug-in models: SP75-8#

Hall signal lines: a length of 500 mm

Plug-in type: DJ7061-1.5



Motor to Hall Relationship



PHASE TO GROUND VOLTAGE
ROTATION CW FROM THE FLANGE

Line Define

Power Wire

Red	Motor U
Yellow	Motor V
Blue	Motor W

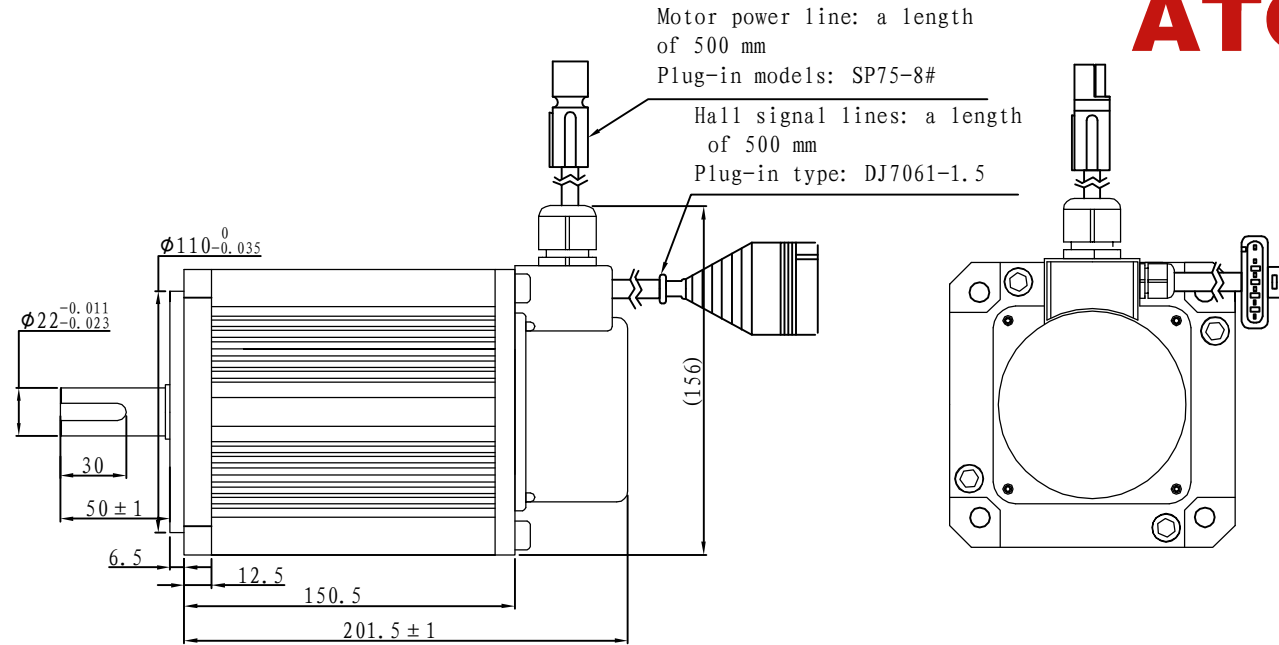
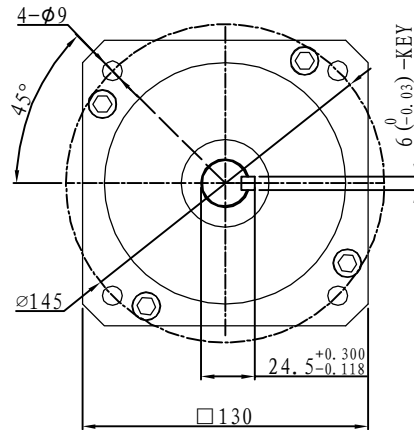
Feedback Wire

Hall line colour	Hall signal definition	Plug serial number
Orange and black	5V	1
Orange	0V	2
Yellow	Hall A	4
Blue	Hall B	5
Green	Hall C	6

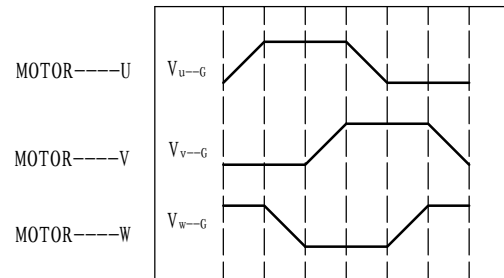
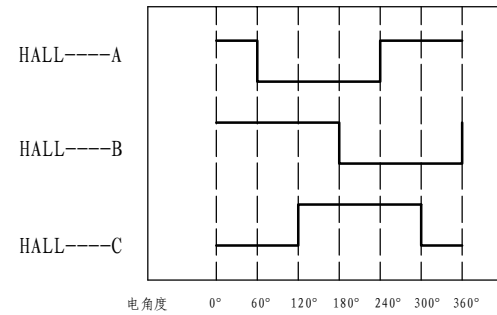
Tecnichal Data

Type	130WD-M07710-24V
Power (KW)	0.8
Rated voltage (V)	24
Rated current (A)	39.5
Rated speed (rpm)	1000
Rated torque (NM)	7.7
Rotor inertia (Kgcm2)	15.8
Protection rank	IP65
Insulation rank	F
Appropriate environment	Temperature: 0~50℃ Humidity: <90% (No dewdrop)
Motor weight (KG)	9.05

Demension



Motor to Hall Relationship



PHASE TO GROUND VOLTAGE
ROTATION CW FROM THE FLANGE

Line Define

Power Wire

Red	Motor U
Yellow	Motor V
Blue	Motor W

Feedback Wire

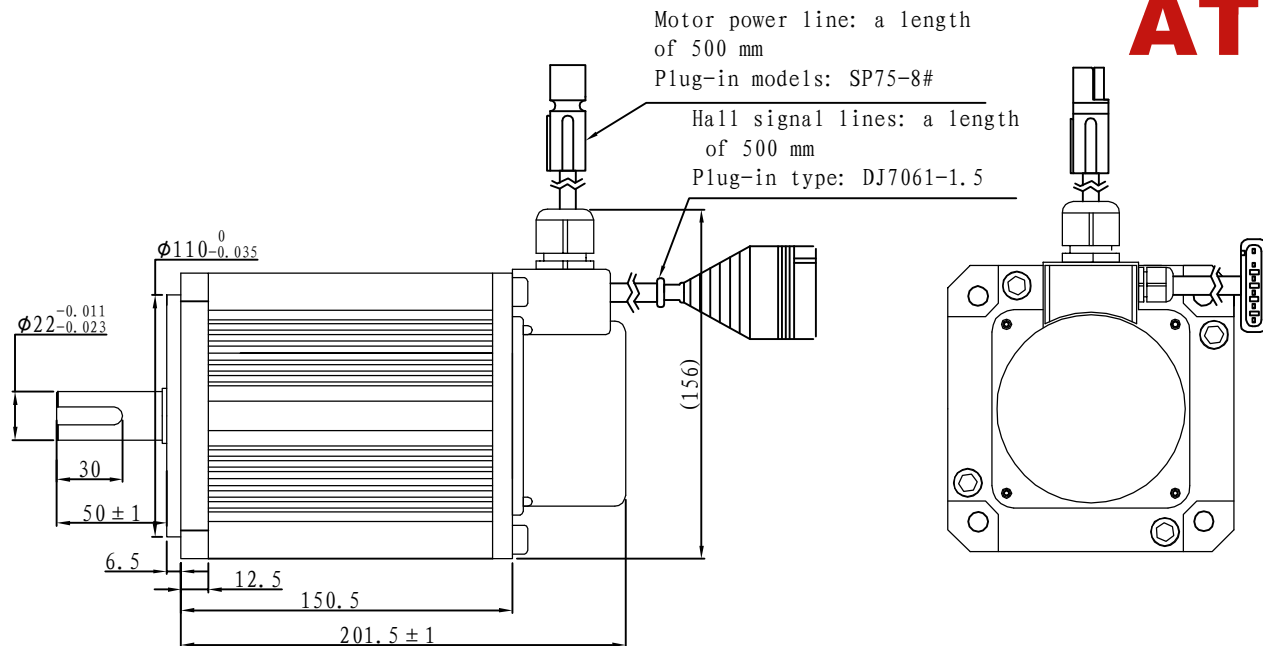
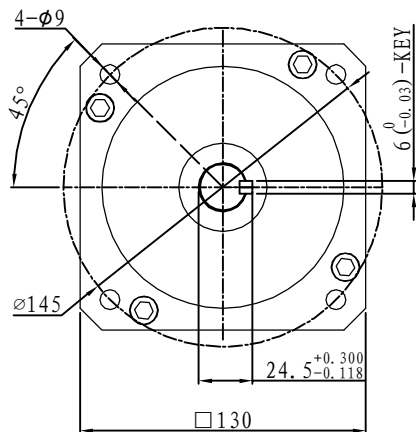
Hall line colour	Hall signal definition	Plug serial number
Orange and black	5V	1
Orange	0V	2
Yellow	Hall A	4
Blue	Hall B	5
Green	Hall C	6

Tecnichal Data

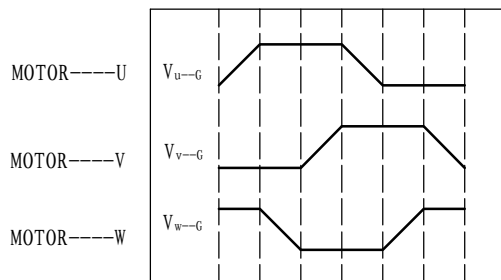
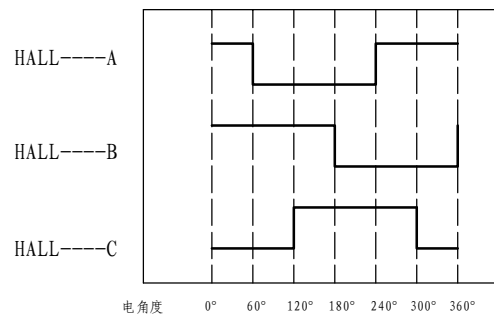
Type	130WD-M07710-48V
Power (KW)	0.8
Rated voltage (V)	48
Rated current (A)	19.8
Rated speed (rpm)	1000
Rated torque (NM)	7.7
Rotor inertia (Kgcm ²)	15.8
Protection rank	IP65
Insulation rank	F
Appropriate environment	Temperature: 0~50℃ Humidity: <90% (No dewdrop)
Motor weight (KG)	9.05

Demension

ATO



Motor to Hall Relationship



PHASE TO GROUND VOLTAGE
 ROTATION CW FROM THE FLANGE

Line Define

Power Wire

Red	Motor U
Yellow	Motor V
Blue	Motor W

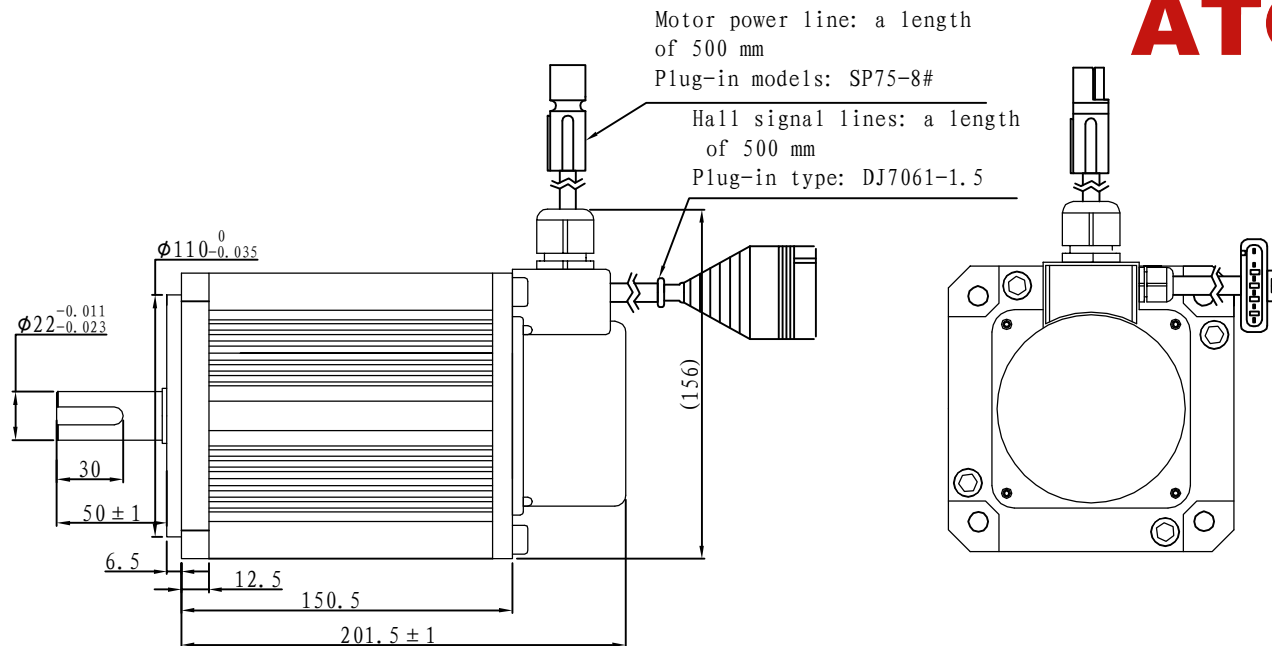
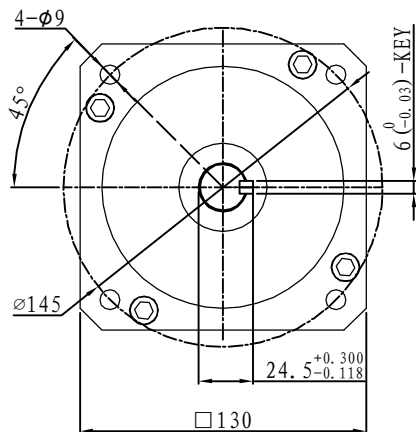
Feedback Wire

Hall line colour	Hall signal definition	Plug serial number
Orange and black	5V	1
Orange	0V	2
Yellow	Hall A	4
Blue	Hall B	5
Green	Hall C	6

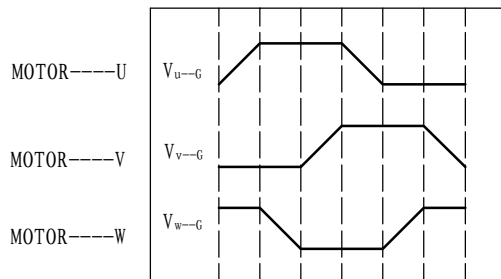
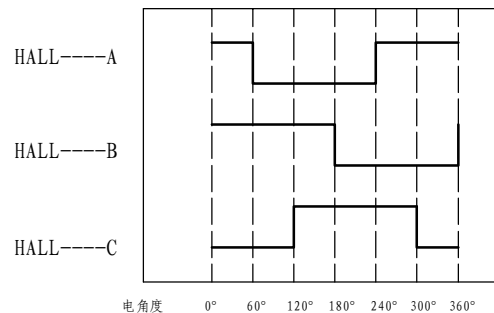
Tecnichal Data

Type	130WD-M07710-72V
Power (KW)	0.8
Rated voltage (V)	72
Rated current (A)	13.2
Rated speed (rpm)	1000
Rated torque (NM)	7.7
Rotor inertia (Kgcm ²)	15.8
Protection rank	IP65
Insulation rank	F
Appropriate environment	Temperature: 0 ~ 50°C Humidity: <90% (No dewdrop)
Motor weight (KG)	9.05

Demension



Motor to Hall Relationship



PHASE TO GROUND VOLTAGE
ROTATION CW FROM THE FLANGE

Line Define

Power Wire

Red	Motor U
Yellow	Motor V
Blue	Motor W

Feedback Wire

Hall line colour	Hall signal definition	Plug serial number
Orange and black	5V	1
Orange	0V	2
Yellow	Hall A	4
Blue	Hall B	5
Green	Hall C	6

Tecnichal Data

Type	130WD-M07710-96V
Power (KW)	0.8
Rated voltage (V)	96
Rated current (A)	9.9
Rated speed (rpm)	1000
Rated torque (NM)	7.7
Rotor inertia (Kgcm ²)	15.8
Protection rank	IP65
Insulation rank	F
Appropriate environment	Temperature: 0 ~ 50°C Humidity: <90% (No dewdrop)
Motor weight (KG)	9.05